



78 Watts of energy efficient LED garage lighting replaces 250 Watt Metal Halide. 100,000 hour LED lifespan. 5-year, no-compromise warranty. High-performance output maximizes spacing criterion.

Color: White

Weight: 17.9 lbs

Project:	Type:
Prepared By:	Date:

Driver Info		LED Info	
Type	Constant Current	Watts	78W
120V	0.67A	Color Temp	4000K (Neutral)
208V	0.44A	Color Accuracy	71 CRI
240V	0.38A	L70 Lifespan	100,000 Hours
277V	0.29A	Lumens	9,241 lm
Input Watts	80.2W	Efficacy	115.2 lm/W

Technical Specifications

Compliance

UL Listed:

Suitable for Wet Locations. Covered Ceiling Mount Only.

IESNA LM-79 & LM-80 Testing:

RAB LED luminaires and LED components have been tested by an independent laboratory in accordance with IESNA LM-79 and LM-80.

DLC Listed:

This product family is listed with the DesignLights Consortium (DLC). Individual SKUs within this family may carry either a DLC Standard or DLC Premium qualification. Please refer to the individual product specification sheet or the DLC Qualified Products List (QPL) at designlights.org to confirm the qualification status of a specific SKU prior to specification or purchase.

Performance

Lifespan:

100,000-Hour LED lifespan based on IESIm-80 results and TM-21 calculations

Wattage Equivalency:

Equivalent to 250W Metal Halide

LED Characteristics

LEDs:

6x13W high-output, long-life LEDs

Color Consistency:

3-step MacAdam Ellipse binning to achieve consistent fixture-to-fixture color

Color Stability:

LED color temperature is warrantied to Shift no more than 200K in color temperature over a 5-year period

Color Uniformity:

RAB's range of Correlated Color Temperature follows the guidelines of the American National Standard for Specifications for the Chromaticity of Solid State Lighting (SSL) Products, ANSI C78.377-2017.

Construction

Cold Weather Starting:

The minimum starting temperature is -40°F (-40°C)

Maximum Ambient Temperature:

Suitable for use in up to 104°F (40°C)

Thermal Management:

Superior heat sinking with integrated air-flow fins

Housing:

Precision die-cast aluminum housing and door frame

Back Box:

The ceiling backbox is perfect for adding sensors or making splices to the GLED™ family of products. Surface mounts over any shape box and covers unsightly stains or gaps. Five (1/2") conduit entries enable wiring directly from the back or through the sides using surface conduit.

Lens:

Prismatic polycarbonate lens

Reflector:

Specular vacuum-metallized polycarbonate

Gaskets:

High-temperature silicone

Finish:

Formulated for high durability and long-lasting color

Green Technology:

Mercury and UV free. RoHS-compliant components.

Installation

Mounting:

Easy hanging plate with hooks for ceiling mount

Technical Specifications (continued)

Other

GLED78 with Bi-Level Operation:

Allows 33%-66%-100% output modes

Patents:

The design of GLED78 is protected by patents pending in US, Canada, China, Taiwan and Mexico

5-Year, No-Compromise Warranty:

RAB warrants that our LED products will be free from defects in materials and workmanship for a period of five (5) years from the date of delivery to the end user, including coverage of light output, color stability, driver performance and fixture finish. RAB's warranty is subject to all terms and conditions found at rablighting.com/warranty.

Optical

BUG Rating:

B3 U3 G2

Electrical

Driver:

Driver: Constant Current, Class 2, 120V-277V, 50/60 Hz, 6kv Surge Protection, 120V: 0.67A, 208V: 0.44A, 240V: 0.38A, 277V: 0.29A

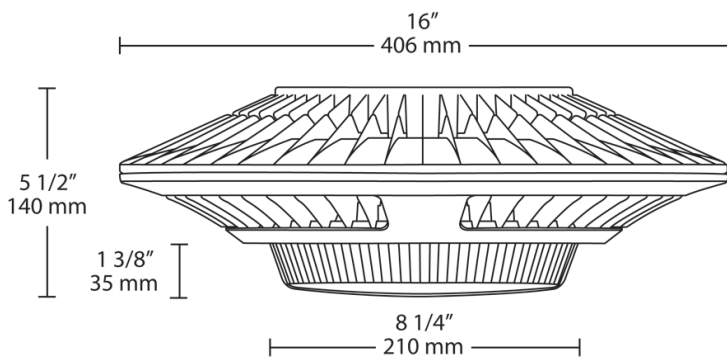
THD:

1.96% at 120V, 8.72% at 277V

Power Factor:

99.9% at 120V, 96.4% at 277V

Dimensions



Features

- Low-profile design Ideal for Parking Garages
- 78W Replaces 250W MH Luminaires
- 100,000-hour LED lifespan based on IES LM-80 results and TM-21 calculations
- Up to 25% Reduction in Fixture Count
- Lock screw provided for pendant mount

Ordering Matrix

Family	Wattage	Color Temp	Back Box	Finish	Driver
GLED	78	N	BB	W	/BL
52 = 52W 78 = 78W 26 = 26W	Blank = 5000K Cool N = 4000K Neutral Y = 3000K Warm	Blank = No Backbox BB = Back Box	Blank = Bronze W = White	Blank = No Option /D10 = 0-10V Dimming /480 = 480V /480/D10 = 480V w/0-10V Dimming /BL = Bi-Level	