



78 Watts of energy efficient LED garage lighting replaces 250 Watt Metal Halide. 100,000 hour LED lifespan. 5 year warranty. High-performance output maximizes spacing criterion.

Color: Bronze

Weight: 18.3 lbs

Project:	Type:
Prepared By:	Date:

Driver Info		LED Info	
Type	Constant Current	Watts	26W
120V	N/A	Color Temp	5000K (Cool)
208V	N/A	Color Accuracy	71 CRI
240V	N/A	L70 Lifespan	100,000 Hours
277V	N/A	Lumens	3,042 lm
Input Watts	25.7W	Efficacy	118.4 lm/W

Technical Specifications

Compliance

UL Listed:

Suitable for wet locations

IP Rating:

Ingress protection rating of IP66 for dust and water

IESNA LM-79 & LM-80 Testing:

RAB LED luminaires and LED components have been tested by an independent laboratory in accordance with IESNA LM-79 and LM-80.

DLC Listed:

This product family is listed with the DesignLights Consortium (DLC). Individual SKUs within this family may carry either a DLC Standard or DLC Premium qualification. Please refer to the individual product specification sheet or the DLC Qualified Products List (QPL) at designlights.org to confirm the qualification status of a specific SKU prior to specification or purchase.

Performance

Lifespan:

100,000-Hour LED lifespan based on IESIm-80 results and TM-21 calculations

Electrical

Driver:

Driver: Constant Current, Class 2, 480V, 50/60 Hz, 6kv Surge Protection, 480V: 0.60A

Dimming Driver:

Driver includes dimming control wiring for 0-10V dimming systems. Requires separate 0-10V DC dimming circuit. Dims down to 10%.

THD:

11.33% at 480V

Power Factor:

88.7% at 480V

LED Characteristics

LEDs:

High-output, long-life LEDs

Color Consistency:

7-step MacAdam Ellipse binning to achieve consistent fixture-to-fixture color

Color Stability:

LED color temperature is warrantied to Shift no more than 200K in color temperature over a 5-year period

Color Uniformity:

RAB's range of Correlated Color Temperature follows the guidelines of the American National Standard for Specifications for the Chromaticity of Solid State Lighting (SSL) Products, ANSI C78.377-2017.

Construction

Cold Weather Starting:

The minimum starting temperature is -40°F (-40°C)

Maximum Ambient Temperature:

Suitable for use in up to 104°F (40°C)

Thermal Management:

Superior heat sinking with integrated air-flow fins

Housing:

Precision die-cast aluminum housing and door frame

Lens:

Prismatic polycarbonate lens

Reflector:

Semi-specular anodized aluminum with ultra-white, 97% reflective optics

Gaskets:

High-temperature silicone

Technical Specifications (continued)

Finish:

Formulated for high durability and long-lasting color

Green Technology:

Mercury and UV free. RoHS-compliant components.

Installation

Mounting:

Pendant provided by others. Threads are 1/2 inch NPS. Stem insertion depth not to exceed 5/8 inch. Lock screw provided on fixture.

Optical

BUG Rating:

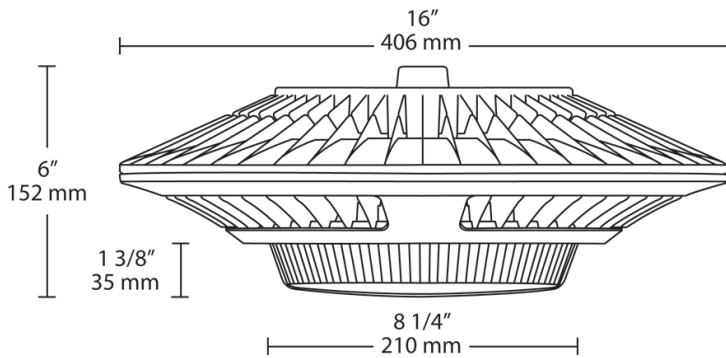
B2 U3 G1

Other

5-Year, No-Compromise Warranty:

RAB warrants that our LED products will be free from defects in materials and workmanship for a period of five (5) years from the date of delivery to the end user, including coverage of light output, color stability, driver performance and fixture finish. RAB's warranty is subject to all terms and conditions found at rablighting.com/warranty.

Dimensions



Features

- Low-profile design Ideal for Parking Garages
- 78W Replaces 250W MH Luminaires
- 100,000-hour LED lifespan based on IES LM-80 results and TM-21 calculations
- Up to 25% Reduction in Fixture Count
- Lock screw provided for pendant mount

Ordering Matrix

Family	Wattage	Color Temp	Back Box	Finish	Driver	
GPLED	26				/480/D10	
52 = 52W	78 = 78W	26 = 26W	Blank = 5000K Cool N = 4000K Neutral Y = 3000K Warm	Blank = No Backbox BB = Back Box	Blank = Bronze W = White	Blank = No Option /D10 = 0-10V Dimming /480 = 480V /480/D10 = 480V w/0-10V Dimming /BL = Bi-Level