

Technical Specifications (continued)**Finish:**

Formulated for high durability and long-lasting color

Green Technology:

Mercury and UV free. RoHS-compliant components.

Installation**Mounting:**

Surface mount. Can be mounted with v-hooks (ordered separately).

Sensor Settings**PIR Sensor Factory Settings:**

Brightness: 100%
 Hold Time: 1 Minute
 Daylight: Disabled
 Sensitivity: 100%
 Stand-By Dimming Level: 20%
 Stand-By Time: 1 Minute

Operating Voltage:

12 ± 2V DC

Operating Current:

30mA

Output:

DIM 0-10V

Stand-By Power:

<0.5W

Brightness:

0%-100%/Quick setting: 70%/80%/90%/100%

Hold Time:

10s/1min/10min/30min

Daylight Threshold:

10Lux/30Lux/50Lux/100Lux/Disable

Lux On-Off:

Adopted dual PD technology. H17-PIR is able to differentiate artificial light brightness from natural light after installed inside.

Stand-By Time:

1min/30min/60min/+∞

Stand-By Dimming Level:

10%/20%/30%/50%

Detection Angle:

≤120° (wall mounted) 360° (ceiling mounted)

Control Line:

Black White 12V+ ; Purple: DIM+ ; Pink GND/DIM-

Mounting Height:

Max 6M (ceiling mounted)

Detection Range:

Max 8m (ceiling mounted) Max 6m(wall mounted)

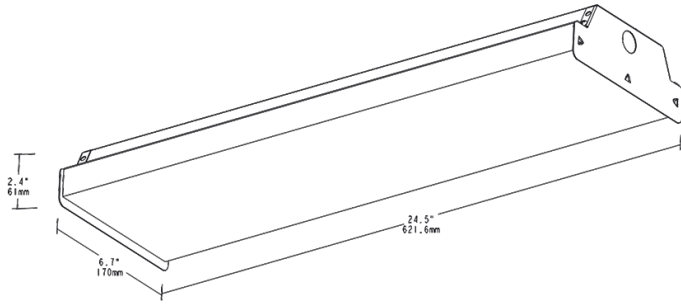
Operating Temperature:

-30°C to 60°C (-22°F to 140°F)

Other**5-Year Limited Warranty:**

The RAB 5-year, limited warranty covers light output, driver performance and paint finish. RAB's warranty is subject to all terms and conditions found at rablighting.com/warranty.

Dimensions



Features

- Affordable, easy to use LED wrap fixture
- 0-10V dimming, standard
- 50,000-Hour LED lifespan

Ordering Matrix

Family	Size (Wattage)	Color Temp	Driver	Finish	Options
GUSJR	2				/PIR/E
	2 = 2' (20/15/10W) 4 = 4' (40/30/20W)	Blank = 3500/4000/5000K CCT Adjustable	Blank = 120-277V, 0-10V Dimming	Blank = White	/LCBS = Lightcloud Blue w/PIR Sensor /LCBS/MVS/E = Lightcloud Blue w/MVS Sensor and Battery Backup /LCBS/MVS = Lightcloud Blue w/MVS Sensor /MVS/E = Microwave Occupancy Sensor w/Battery Backup /PIR/E = Passive Infrared Occupancy Sensor w/Battery Back Up /LCBS/E = Lightcloud Blue w/PIR Sensor and Battery Backup /LCB = Lightcloud Blue /LC = Lightcloud /PIR = Passive Infrared Occupancy Sensor /MVS = Microwave Occupancy Sensor /E = Battery Backup Blank = No Option