



Color: Black

Weight: 4.7 lbs

<b>Project:</b>	<b>Type:</b>
<b>Prepared By:</b>	<b>Date:</b>

Driver Info		LED Info	
Type	Constant Current	Watts	150/120/100W
120V	1.40A/1.20A/1.00A	Color Temp	3000/4000/5000K
208V	0.80A/0.70A/0.60A	Color Accuracy	83-86 CRI
240V	0.70A/0.60A/0.50A	L70 Lifespan	100,000 Hours
277V	0.60A/0.50A/0.40A	Lumens	15,317-22,224 lm
Input Watts	101-149.1W	Efficacy	140.1-168.8 lm/W

## Technical Specifications

### Field Adjustability

#### Field Adjustable:

Field Adjustable Light Output:  
150W/120W/100W (factory default 150W)  
Color temperature selectable by 3000K, 4000K and 5000K (factory default 4000K)

### Compliance

#### UL Listed:

Suitable for wet locations

#### IESNA LM-79 & LM-80 Testing:

RAB LED luminaires and LED components have been tested by an independent laboratory in accordance with IESNA LM-79 and LM-80.

#### IP Rating:

Ingress protection rating of IP65 for dust and water

#### Certification Model Number:

H17-002

#### DLC Listed:

This product family is listed with the DesignLights Consortium (DLC). Individual SKUs within this family may carry either a DLC Standard or DLC Premium qualification. Please refer to the individual product specification sheet or the DLC Qualified Products List (QPL) at [designlights.org](http://designlights.org) to confirm the qualification status of a specific SKU prior to specification or purchase.

### Electrical

#### Driver:

150W: Constant Current, Class 1, 120-277V, 50/60Hz, 120V: 1.25A, 208V: 0.72A, 240V: 0.63A, 277V: 0.54A  
120W: Constant Current, Class 1, 120-277V, 50/60Hz, 120V: 1.00A, 208V: 0.58A, 240V: 0.50A, 277V: 0.43A  
100W: Constant Current, Class 1, 120-277V, 50/60Hz, 120V: 0.83A, 208V: 0.48A, 240V: 0.42A, 277V: 0.36A

#### Dimming Driver:

Driver includes wiring for 0-10V dimming systems. Dim as low as 10%.

#### THD:

3.25% at 120V, 5.6% at 277V

#### Power Factor:

99.71% at 120V, 93.05% at 277V

#### Surge Protection:

L-N: 4 kV  
L/N-PE: 6 kV

### LED Characteristics

#### LEDs:

Long-life, high-efficacy, surface-mount LEDs

#### Color Consistency:

7-step MacAdam Ellipse binning to achieve consistent fixture-to-fixture color

#### Color Uniformity:

RAB's range of Correlated Color Temperature follows the guidelines of the American National Standard for Specifications for the Chromaticity of Solid State Lighting (SSL) Products, ANSI C78.377-2017.

### Construction

#### Cold Weather Starting:

The minimum starting temperature is -40°F (-40°C)

#### Maximum Ambient Temperature:

Max Power Temp Rating: 122°F ( 50°C)  
Middle Power Temp Rating: 57°C (135°F)  
Low Power Temp Rating: 63°C (145°F)

## Technical Specifications (continued)

### Housing:

Precision die-cast aluminum

### Lens:

Polycarbonate lens

### Reflector:

Polycarbonate and Aluminum (Reflector Accessories Sold Separately)

### Cord & Plug:

6 ft cord and NEMA 7-15P plug for 277V only

### Finish:

Formulated for high durability and long-lasting color

### Green Technology:

Mercury and UV free. RoHS-compliant components.

## Installation

---

### Mounting:

Comes standard with a hanging hook and 6-foot cord for hook mounting only. **Pendant mounting requires the H17-PM KIT accessory (sold separately) — the fixture cannot be pendant mounted without it.** The H17-PM KIT connects the fixture to a 3/4" NPT pendant mount (pendant by others).

## Other

---

### Compatible Products:

[H17 Field-Adjustable High Bay Accessories](#)

### 5-Year Limited Warranty:

The RAB 5-year, limited warranty covers light output, driver performance and paint finish. RAB's warranty is subject to all terms and conditions found at [rablighting.com/warranty](http://rablighting.com/warranty).

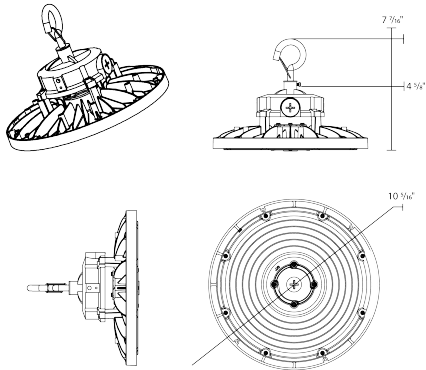
## Performance

---

### Wattage Equivalency:

Equivalent to 400W Metal Halide

## Dimensions



## Features

- DLC Premium listed
- 100,000-hour LED Life
- 0-10V dimming standard
- 5-Year, limited warranty

## Ordering Matrix

Family	Wattage	Mounting	Color Temp	Finish	Driver	Options
H17				B		/6CP2
	<b>S</b> = 100/80/60W <b>Blank</b> = 150/120/100W <b>XL</b> = 240/200/150W <b>XXL</b> = 500/400/300W	<b>Blank</b> = Hook	<b>Blank</b> = 3000/4000/5000K CCT Adjustable	<b>Blank</b> = White <b>B</b> = Black	<b>Blank</b> = 120-277V, 0-10V Dimming <b>/480</b> = 480V, 0-10V Dimming	<b>Blank</b> = No Option <b>/6CP</b> = 6' Cord & 120V Plug <b>/6CP2</b> = 6' Cord & 277V Plug <b>/6CPT4</b> = 6' Cord & 480V Plug <b>/LCBS</b> = Lightcloud Blue w/PIR Sensor