



Color: Black

Weight: 4.7 lbs

|                     |              |
|---------------------|--------------|
| <b>Project:</b>     | <b>Type:</b> |
| <b>Prepared By:</b> | <b>Date:</b> |

| Driver Info |                   | LED Info       |                  |
|-------------|-------------------|----------------|------------------|
| Type        | Constant Current  | Watts          | 100/80/60W       |
| 120V        | 0.83A/0.67A/0.50A | Color Temp     | 3000/4000/5000K  |
| 208V        | 0.48A/0.38A/0.29A | Color Accuracy | 81-83 CRI        |
| 240V        | 0.42A/0.33A/0.25A | L70 Lifespan   | 100,000 Hours    |
| 277V        | 0.36A/0.29A/0.22A | Lumens         | 9,205-14,959 lm  |
| Input Watts | 57.78-95.9W       | Efficacy       | 143.1-169.9 lm/W |

## Technical Specifications

### Field Adjustability

#### Field Adjustable:

Field Adjustable Light Output:  
100W/80W/60W (factory default 100W)  
Color temperature selectable by 3000K, 4000K and 5000K (factory default 4000K)

### Compliance

#### UL Listed:

Suitable for wet locations

#### IESNA LM-79 & LM-80 Testing:

RAB LED luminaires and LED components have been tested by an independent laboratory in accordance with IESNA LM-79 and LM-80.

#### IP Rating:

Ingress protection rating of IP65 for dust and water

#### DLC Listed:

This product family is listed with the DesignLights Consortium (DLC). Individual SKUs within this family may carry either a DLC Standard or DLC Premium qualification. Please refer to the individual product specification sheet or the DLC Qualified Products List (QPL) at [designlights.org](http://designlights.org) to confirm the qualification status of a specific SKU prior to specification or purchase.

### Electrical

#### Driver:

100W: Constant Current, Class 1, 120-277V, 50/60Hz,  
120V: 0.83A, 208V: 0.48A, 240V: 0.42A, 277V: 0.36A  
80W: Constant Current, Class 1, 120-277V, 50/60Hz,  
120V: 0.67A, 208V: 0.38A, 240V: 0.33A, 277V: 0.29A  
60W: Constant Current, Class 1, 120-277V, 50/60Hz,  
120V: 0.50A, 208V: 0.29A, 240V: 0.25A, 277V: 0.22A

#### Dimming Driver:

Driver includes wiring for 0-10V dimming systems.  
Dim as low as 10%.

#### Power Factor:

100W: 99.7% at 120V, 90.9% at 277V  
80W: 99.7% at 120V, 87.3% at 277V  
60W: 99.5% at 120V, 81.5% at 277V

#### Surge Protection:

L-N: 4 kV  
L/N-PE: 6 kV

### LED Characteristics

#### LEDs:

Long-life, high-efficacy, surface-mount LEDs

#### Color Consistency:

7-step MacAdam Ellipse binning to achieve consistent fixture-to-fixture color

### Color Uniformity:

RAB's range of Correlated Color Temperature follows the guidelines of the American National Standard for Specifications for the Chromaticity of Solid State Lighting (SSL) Products, ANSI C78.377-2017.

### Construction

#### Cold Weather Starting:

The minimum starting temperature is -40°F (-40°C)

#### Maximum Ambient Temperature:

Max Power Temp Rating: 122°F ( 50°C)  
Middle Power Temp Rating: 57°C (135°F)  
Low Power Temp Rating: 63°C (145°F)

#### Housing:

Precision die-cast aluminum

#### Lens:

Polycarbonate lens

#### Reflector:

Polycarbonate and Aluminum (Reflector Accessories Sold Separately)

#### Cord & Plug:

6 ft cord and NEMA 7-15P plug for 277V only

## Technical Specifications (continued)

### Finish:

Formulated for high durability and long-lasting color

### Green Technology:

Mercury and UV free. RoHS-compliant components.

## Installation

### Mounting:

Comes standard with a hanging hook and 6-foot cord for hook mounting only. **Pendant mounting requires the H17-PM KIT accessory (sold separately) — the fixture cannot be pendant mounted without it.** The H17-PM KIT connects the fixture to a 3/4" NPT pendant mount (pendant by others).

### Other

#### Compatible Products:

[H17 Field-Adjustable High Bay Accessories](#)

#### 5-Year Limited Warranty:

The RAB 5-year, limited warranty covers light output, driver performance and paint finish. RAB's warranty is subject to all terms and conditions found at [rablighting.com/warranty](http://rablighting.com/warranty).

## Performance

### Wattage Equivalency:

100W: Equivalent to (8) F32T8 or (3) F5HO or 350W

MH

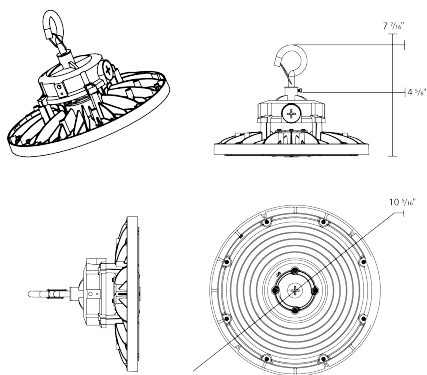
80W: Equivalent to (7) F32T8 or (3) F5HO or 250W

MH

60W: Equivalent to (6) F32T8 or (2) F5HO or 200W

MH

## Dimensions



## Features

- DLC Premium listed
- 100,000-hour LED Life
- 0-10V dimming standard
- 5-Year, limited warranty

## Ordering Matrix

| Family | Wattage   | Mounting     | Color Temp                                | Finish                     | Driver  | Options   |
|--------|---|--------------|---|----------------------------|---|---|
| H17    | S   |              |   | B                          |   | /6CP2   |
|        | S = 100/80/60W<br>Blank = 150/120/100W<br>XL = 240/200/150W<br>XXL = 500/400/300W | Blank = Hook | Blank = 3000/4000/5000K CCT<br>Adjustable | Blank = White<br>B = Black | Blank = 120-277V, 0-10V<br>Dimming<br>/480 = 480V, 0-10V<br>Dimming | Blank = No Option<br>/6CP = 6' Cord & 120V Plug<br>/6CP2 = 6' Cord & 277V Plug<br>/6CPT4 = 6' Cord & 480V Plug<br>/LCBS = Lightcloud Blue w/PIR<br>Sensor |