



Color: White

Weight: 4.7 lbs

Project:	Type:
Prepared By:	Date:

Driver Info		LED Info	
Type	Constant Current	Watts	100/80/60W
120V	0.83A/0.67A/0.50A	Color Temp	3000/4000/5000K
208V	0.48A/0.38A/0.29A	Color Accuracy	81-83 CRI
240V	0.42A/0.33A/0.25A	L70 Lifespan	100,000 Hours
277V	0.36A/0.29A/0.22A	Lumens	9,205-14,959 lm
Input Watts	57.78-95.9W	Efficacy	143.1-169.9 lm/W

Technical Specifications

Field Adjustability

Field Adjustable:

Field Adjustable Light Output:
100W/80W/60W (factory default 100W)
Color temperature selectable by 3000K, 4000K and 5000K (factory default 4000K)

Compliance

UL Listed:

Suitable for wet locations

IESNA LM-79 & LM-80 Testing:

RAB LED luminaires and LED components have been tested by an independent laboratory in accordance with IESNA LM-79 and LM-80.

IP Rating:

Ingress protection rating of IP65 for dust and water

DLC Listed:

This product family is listed with the DesignLights Consortium (DLC). Individual SKUs within this family may carry either a DLC Standard or DLC Premium qualification. Please refer to the individual product specification sheet or the DLC Qualified Products List (QPL) at designlights.org to confirm the qualification status of a specific SKU prior to specification or purchase.

Electrical

Driver:

100W: Constant Current, Class 1, 120-277V, 50/60Hz, 120V: 0.83A, 208V: 0.48A, 240V: 0.42A, 277V: 0.36A
80W: Constant Current, Class 1, 120-277V, 50/60Hz, 120V: 0.67A, 208V: 0.38A, 240V: 0.33A, 277V: 0.29A
60W: Constant Current, Class 1, 120-277V, 50/60Hz, 120V: 0.50A, 208V: 0.29A, 240V: 0.25A, 277V: 0.22A

Dimming Driver:

Driver includes wiring for 0-10V dimming systems. Dim as low as 10%.

Power Factor:

100W: 99.7% at 120V, 90.9% at 277V
80W: 99.7% at 120V, 87.3% at 277V
60W: 99.5% at 120V, 81.5% at 277V

Surge Protection:

L-N: 4 kV
L/N-PE: 6 kV

LED Characteristics

LEDs:

Long-life, high-efficacy, surface-mount LEDs

Color Consistency:

7-step MacAdam Ellipse binning to achieve consistent fixture-to-fixture color

Color Uniformity:

RAB's range of Correlated Color Temperature follows the guidelines of the American National Standard for Specifications for the Chromaticity of Solid State Lighting (SSL) Products, ANSI C78.377-2017.

Construction

Cold Weather Starting:

The minimum starting temperature is -40°F (-40°C)

Maximum Ambient Temperature:

Max Power Temp Rating: 122°F (50°C)
Middle Power Temp Rating: 57°C (135°F)
Low Power Temp Rating: 63°C (145°F)

Housing:

Precision die-cast aluminum

Lens:

Polycarbonate lens

Reflector:

Polycarbonate and Aluminum (Reflector Accessories Sold Separately)

Cord & Plug:

6 ft cord and NEMA 5-15P plug for 120V only

Technical Specifications (continued)

Finish:

Formulated for high durability and long-lasting color

Green Technology:

Mercury and UV free. RoHS-compliant components.

Installation

Mounting:

Comes standard with a hanging hook and 6-foot cord for hook mounting only. **Pendant mounting requires the H17-PM KIT accessory (sold separately) — the fixture cannot be pendant mounted without it.** The H17-PM KIT connects the fixture to a 3/4" NPT pendant mount (pendant by others).

Other

Compatible Products:

[H17 Field-Adjustable High Bay Accessories](#)

5-Year Limited Warranty:

The RAB 5-year, limited warranty covers light output, driver performance and paint finish. RAB's warranty is subject to all terms and conditions found at rablighting.com/warranty.

Performance

Wattage Equivalency:

100W: Equivalent to (8) F32T8 or (3) F5HO or 350W

MH

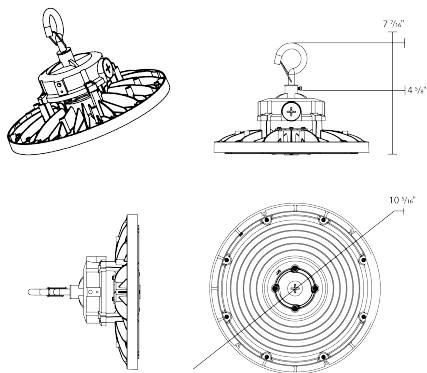
80W: Equivalent to (7) F32T8 or (3) F5HO or 250W

MH

60W: Equivalent to (6) F32T8 or (2) F5HO or 200W

MH

Dimensions



Features

- DLC Premium listed
- 100,000-hour LED Life
- 0-10V dimming standard
- 5-Year, limited warranty

Ordering Matrix

Family	Wattage	Mounting	Color Temp	Finish	Driver	Options
H17	S					/6CP
	S = 100/80/60W Blank = 150/120/100W XL = 240/200/150W XXL = 500/400/300W	Blank = Hook	Blank = 3000/4000/5000K CCT Adjustable	Blank = White B = Black	Blank = 120-277V, 0-10V Dimming /480 = 480V, 0-10V Dimming	Blank = No Option /6CP = 6' Cord & 120V Plug /6CP2 = 6' Cord & 277V Plug /6CPT4 = 6' Cord & 480V Plug /LCBS = Lightcloud Blue w/PIR Sensor