



Color: Black

Weight: 7.0 lbs

Project:

Type:

Prepared By:

Date:

### Driver Info

Type	Constant Current
120V	2.20A/1.85A/1.50A
208V	1.30A/1.10A/0.85A
240V	1.10A/0.95A/0.75A
277V	0.95A/0.80A/0.65A
Input Watts	146.4-241.5W

### LED Info

Watts	240W
Color Temp	3000/4000/5000K
Color Accuracy	82-86 CRI
L70 Lifespan	100,000 Hours
Lumens	22,696-37,253 lm
Efficacy	135.6-168.4 lm/W

## Technical Specifications

### Field Adjustability

#### Field Adjustable:

Field Adjustable Light Output:  
240W/200W/150W (factory default 240W)  
Color temperature selectable by 3000K, 4000K and 5000K (factory default 4000K)

### Compliance

#### UL Listed:

Suitable for wet locations

#### IESNA LM-79 & LM-80 Testing:

RAB LED luminaires and LED components have been tested by an independent laboratory in accordance with IESNA LM-79 and LM-80.

#### IP Rating:

Ingress protection rating of IP65 for dust and water

#### Certification Model Number:

H17XL-002

### DLC Listed:

This product family is listed with the DesignLights Consortium (DLC). Individual SKUs within this family may carry either a DLC Standard or DLC Premium qualification. Please refer to the individual product specification sheet or the DLC Qualified Products List (QPL) at [designlights.org](http://designlights.org) to confirm the qualification status of a specific SKU prior to specification or purchase.

### Electrical

#### Driver:

150W: Constant Current, 120-277V, 50/60Hz, 120V: 1.25A, 208V: 0.72A, 240V: 0.63A, 277V: 0.54A  
200W: Constant Current, 120-277V, 50/60Hz, 120V: 1.69A, 208V: 0.98A, 240V: 0.85A, 277V: 0.73A  
240W: Constant Current, 120-277V, 50/60Hz, 120V: 2.01A, 208V: 1.16A, 240V: 1.00A, 277V: 0.87A

#### Dimming Driver:

Driver includes wiring for 0-10V dimming systems. Dim as low as 10%.

#### THD:

4.89% at 120V, 9.64% at 277V

#### Power Factor:

99.78% at 120V, 93.12% at 277V

### Surge Protection:

L-N: 4 kV  
L/N-PE: 6 kV

### LED Characteristics

#### LEDs:

Long-life, high-efficacy, surface-mount LEDs

#### Color Consistency:

7-step MacAdam Ellipse binning to achieve consistent fixture-to-fixture color

#### Color Uniformity:

RAB's range of Correlated Color Temperature follows the guidelines of the American National Standard for Specifications for the Chromaticity of Solid State Lighting (SSL) Products, ANSI C78.377-2017.

### Construction

#### Cold Weather Starting:

The minimum starting temperature is -40°F (-40°C)

#### Ambient Temperature :

Max Power Temp Rating: 122°F ( 50°C)  
Middle Power Temp Rating: 57°C (135°F)  
Low Power Temp Rating: 149°F (65°C)

#### Housing:

Precision die-cast aluminum

## Technical Specifications (continued)

### Lens:

Polycarbonate lens

### Reflector:

Polycarbonate and Aluminum (Reflector Accessories Sold Separately)

### Cord & Plug:

6 ft cord and NEMA 7-15P plug for 277V only

### Finish:

Formulated for high durability and long-lasting color

### Green Technology:

Mercury and UV free. RoHS-compliant components.

## Installation

### Mounting:

Comes standard with a hanging hook and 6-foot cord for hook mounting only. **Pendant mounting requires the H17-PM KIT accessory (sold separately) — the fixture cannot be pendant mounted without it.** The H17-PM KIT connects the fixture to a 3/4" NPT pendant mount (pendant by others).

## Other

### Compatible Products:

[H17 Field-Adjustable High Bay Accessories](#)

### 5-Year Limited Warranty:

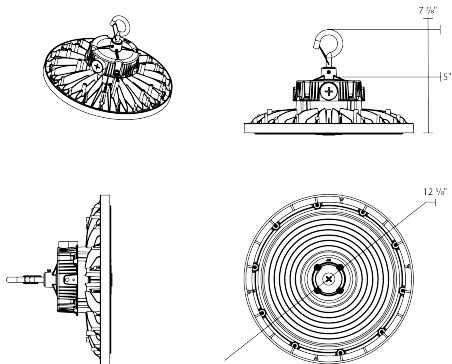
The RAB 5-year, limited warranty covers light output, driver performance and paint finish. RAB's warranty is subject to all terms and conditions found at [rablighting.com/warranty](http://rablighting.com/warranty).

## Performance

### Wattage Equivalency:

Equivalent to 750W Metal Halide

## Dimensions



## Features

- DLC Premium listed
- 100,000-hour LED Life
- 0-10V dimming standard
- 5-Year, limited warranty

## Ordering Matrix

Family	Wattage	Mounting	Color Temp	Finish	Driver	Options
H17	XL			B		/6CP2
	S = 100/80/60W Blank = 150/120/100W XL = 240/200/150W XXL = 500/400/300W	Blank = Hook	Blank = 3000/4000/5000K CCT Adjustable	Blank = White B = Black	Blank = 120-277V, 0-10V Dimming /480 = 480V, 0-10V Dimming	Blank = No Option /6CP = 6' Cord & 120V Plug /6CP2 = 6' Cord & 277V Plug /6CPT4 = 6' Cord & 480V Plug /LCBS = Lightcloud Blue w/PIR Sensor