

Project:	Type:
Prepared By:	Date:

Driver Info		LED Info	
Type	Constant Current	Watts	150/120/100W
120V	1.17A/0.97A/0.82A	Color Temp	N/A
208V	0.68A/0.56A/0.48A	Color Accuracy	82-84 CRI
240V	0.61A/0.50A/0.43A	L70 Lifespan	100,000 Hours
277V	0.54A/0.45A/0.39A	Lumens	15,240-22,580 lm
Input Watts	99.3-149.9W	Efficacy	142.6-163.6 lm/W

Technical Specifications

Field Adjustability

Field Adjustable:

Field Adjustable Light Output:
150W/120W/100W (factory default 150W)
Color temperature selectable by 3000K, 4000K and 5000K (factory default 4000K)
Beam angle selectable by 60°, 90°, and 105° (factory default 90°)

Compliance

UL Listed:

Suitable for wet locations

IESNA LM-79 & LM-80 Testing:

RAB LED luminaires and LED components have been tested by an independent laboratory in accordance with IESNA LM-79 and LM-80.

IP Rating:

Ingress protection rating of IP69K for high-pressure and high temperature cleaning

NSF:

NSF Certified by Public Health and Safety

DLC Listed:

This product family is listed with the DesignLights Consortium (DLC). Individual SKUs within this family may carry either a DLC Standard or DLC Premium qualification. Please refer to the individual product specification sheet or the DLC Qualified Products List (QPL) at designlights.org to confirm the qualification status of a specific SKU prior to specification or purchase.

Electrical

Driver:

150W: Constant Current, Class 1, 120-277V, 50/60Hz, 120V: 1.17A, 208V: 0.68A, 240V: 0.61A, 277V: 0.54A
120W: Constant Current, Class 1, 120-277V, 50/60Hz, 120V: 0.97A, 208V: 0.56A, 240V: 0.50A, 277V: 0.45A
100W: Constant Current, Class 1, 120-277V, 50/60Hz, 120V: 0.82A, 208V: 0.48A, 240V: 0.43A, 277V: 0.39A

Dimming Driver:

Driver includes wiring for 0-10V dimming systems. Dim as low as 10%.

Surge Protection:

4 kV + 6 kV

Aux Power Supply:

Yes

Dim to Off:

Yes

LED Characteristics

LEDs:

Long-life, high-efficacy, surface-mount LEDs

Color Consistency:

7-step MacAdam Ellipse binning to achieve consistent fixture-to-fixture color

Color Uniformity:

RAB's range of Correlated Color Temperature follows the guidelines of the American National Standard for Specifications for the Chromaticity of Solid State Lighting (SSL) Products, ANSI C78.377-2017.

Construction

IK Rating:

IK10 Protected against 20 joules impact. Equivalent to impact of 11 lbs (5kg) mass dropped from 15.8" (400mm) above impacted surface.

Cold Weather Starting:

The minimum starting temperature is -40°F (-40°C)

Maximum Ambient Temperature:

Suitable for use in up to 122°F (50°C)

Technical Specifications (continued)

Housing:

Precision die-cast aluminum

Lens:

Polycarbonate lens

Finish:

Formulated for high durability and long-lasting color

Green Technology:

Mercury and UV free. RoHS-compliant components.

Installation

Mounting:

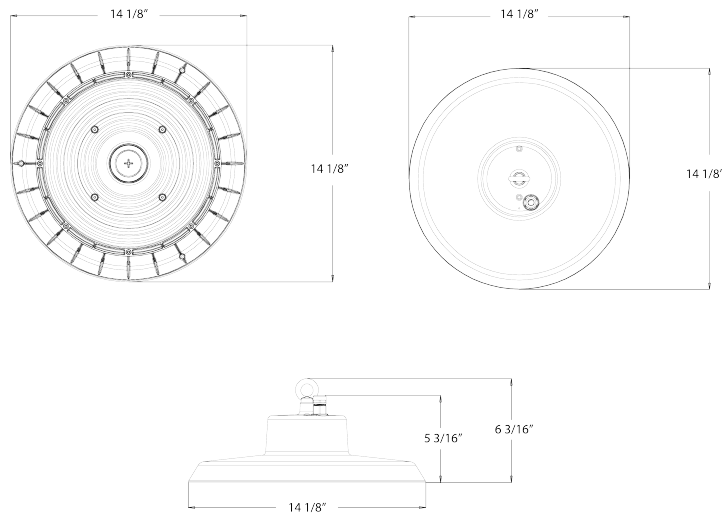
Comes standard with a hanging hook and a 6-foot cord. For pendant mounting, order H17-PM KIT accessory which connects H17 to 3/4"-14 pendant mount (pendant by others).

Other

5-Year Limited Warranty:

The RAB 5-year, limited warranty covers light output, driver performance and paint finish. RAB's warranty is subject to all terms and conditions found at rablighting.com/warranty.

Dimensions



Features

- 100,000-Hour LED lifespan
- DLC Premium Listed
- NSF certified for use in food-preparation facilities
- IP69K Rating
- IK10 Rating
- 5-Year, limited warranty

Ordering Matrix

Family	Size/Wattage	Color Temp	Finish	Beam Angle	Driver
H22	Blank = 150/120/100W XL = 240/200/150W	Blank = 3000/4000/5000K CCT Adjustable	Blank = White	Blank = 60°/90°/105° Adjustable Beam Angle	Blank = 120-277V, 0-10V Dimming /480 = 480V, 0-10V Dimming