



Color: Black

Weight: 10.3 lbs

Project:

Type:

Prepared By:

Date:

### Driver Info

### LED Info

Type	Constant Current	Watts	120/100/80/60W
120V	0.00A/0.00A/0.00A/0.00A	Color Temp	3000K/4000K/5000K
208V	0.00A/0.00A/0.00A/0.00A	Color	82-86 CRI
240V	0.00A/0.00A/0.00A/0.00A	Accuracy	
277V	0.00A/0.00A/0.00A/0.00A	L70 Lifespan	100,000 Hours
Input Watts	61.2-117.2W	Lumens	5651-15702 lm
		Efficacy	85.7-141.9 lm/W

## Technical Specifications

### Lightcloud

#### Lightcloud Blue:

Lightcloud Blue is a Bluetooth Mesh wireless lighting control system that allows you to control RAB's various compatible devices. With RAB's patented Rapid Provisioning technology, devices can be quickly and easily commissioned for residential and large commercial applications using the Lightcloud Blue mobile app. Each device in a system can communicate with any other device, eliminating the need for a Gateway or Hub and maximizing the control system's reach.

DLC system - N1XMLOEATBA (Interior);  
NHCZ2BIA17L (Exterior)

Learn more at  
[www.rablighting.com/feature/new-lightcloud-blue](http://www.rablighting.com/feature/new-lightcloud-blue).

#### Gateway Required:

No

#### Communication Protocol:

Bluetooth Mesh

#### Range:

Indoor: Up to 60 feet between standard building materials. Building materials such as brick, concrete, and steel construction may require additional Lightcloud Blue devices to extend around an obstruction; Up to 200 feet clear line of sight.

Outdoor: Up to 60 feet clear line of sight; Up to 18 feet around corners

#### Spacing Criteria:

Lightcloud Blue devices should be placed within the specified range to communicate within the Bluetooth Mesh network.

#### Factory Reset:

Method 1: Delete from App

Open the app and access the device settings for the paired device. Be sure that the device is online and select 'Delete'. The device will flash on/off 5 times and return to full brightness.

Method 2: Manual

Power the device off and on 5x consecutively. Do not allow less than 4s to elapse from switching off to on. Do not allow more than 2s to elapse from switching on to off. The device will flash 3x, then reset to 100% brightness at default CCT.

Method 3: Rapid Reset Tool

The Rapid Reset process must be done by a professional electrician qualified by RAB. Reach out to your RAB sales manager to request a Rapid Reset Tool. The tool simply needs to be placed directly on the small Lightcloud Blue logo on the device for 2s or until the lamp/luminaire flashes 3x, then resets to 100% brightness at the default CCT.

#### Performance

#### Product Type:

Low Voltage Controller+Sensor

#### L70 Lifespan:

50,000-Hour LED lifespan based on IES LM-70 results

#### Lifespan:

100,000-Hour LED lifespan based on IESlm-80 results and TM-21 calculations

#### Electrical

##### Driver:

Constant Current, Class1, 480V, 50/60 Hz:  
120W: 480V: 0.24A  
100W: 480V: 0.20A  
80W: 480V: 0.16A  
60W: 480V: 0.11A

#### Dimming Driver:

Driver includes dimming control wiring for 0-10V dimming systems. Requires separate 0-10V DC dimming circuit. Dims down to 10%.

#### Dimmable:

Yes via the Lightcloud Blue mobile app and devices. This product will not operate properly when connected to a standard (incandescent) dimmer or dimming control.

#### Input Voltage:

12V



**Technical Specifications (continued)****Operating Frequency:**

50/60Hz

**Input Current @ 120V (mA):**

30mA

**Operating Temperature:**

-4°F to 140°F (-20°C to 60°C)

**Aux Power Supply:**

Yes

**Dim to Off:**

Yes

**Photocell:**

Integrated photocell included with on/off switch (factory default: off)

**Sensor Settings****Sensor Connection Type:**

Pogo pin

**Max Mounting Height:**

50 ft

**Detection Range:**

50 ft diameter mounted at 50 ft

**Sensor Technology:**

Microwave (MVS)

**Default Setting:**

Uncommissioned State:  
 Motion Sensitivity: High  
 Brightness when triggered : 100%  
 Hold time: 20 minutes  
 Standby to dim: 20%  
 Standby time: 1 minute  
 When vacant: Off  
 Daylight: Disabled

**Commissioned State:**

Once pair, the sensor will default to disabled. Once enabled the following settings apply:  
 Motion Sensitivity: High  
 Brightness when triggered: Last on status  
 Hold time: 20 minutes  
 Standby to dim: 20%  
 Standby time: 1 minute  
 When vacant: Off  
 Daylight: Disabled

**Adjustable Sensor Settings?:**

Yes, using the Lightcloud Blue mobile app

**Sensing Type:**

Occupancy or Vacancy (option to disable or set as an independent sensor)

**Occupied Actions:**

On or On at a Dim Level

**Vacant Actions:**

Off or On at a Dim Level

**Occupancy Timeout:**

1 minute to 240 minutes

**Daylight Sensing:**

The sensor will determine to trigger the light(s) on or not based on the daylight threshold level set in the Lightcloud Blue mobile app.

**Daylight Threshold:**

150 lux to 1500 lux

**Remote Control Accessory:**Adjust settings using remote control (catalog# MSR1). Only available with 0-10V dimming driver options. [Remote control available here.](#)**Field Adjustability****Field Adjustable:**

Field Adjustable Light Output:  
 120/100/80/60W (factory default 120W)  
 Color Temperature Selectable:  
 3000K, 4000K and 5000K (factory default 4000K)  
 Distribution Selectable:  
 Type III and Type V (factory default Type V)  
 Photocell Selectable:  
 Built-in on/off photocell (factory default: off)

**Compliance****UL Listed:**

Suitable for wet locations

**IESNA LM-79 & LM-80 Testing:**

RAB LED luminaires and LED components have been tested by an independent laboratory in accordance with IESNA LM-79 and LM-80.

**IP Rating:**

Ingress protection rating of IP65 for dust and water

**Optical****IES Classification:**

Type III/IV/V Distribution Adjustable:

The Type III distribution is ideal for roadway, general parking and other area lighting applications where a larger pool of lighting is required. It is intended to be located near the side of the area, allowing the light to project outward and fill the area.

The Type IV distribution (also known as a Forward Throw) is especially suited for illuminating the perimeter of parking areas and for intersections. It produces a semicircular distribution with essentially the same candlepower at lateral angles from 90° to 270°.

The Type V distribution produces light in a wide and uniform 360° pattern that is perfect for large outdoor areas such as parking lots, corporate parks and retail settings

**LED Characteristics****LEDs:**

Long-life, high-efficacy, surface-mount LEDs

**Color Uniformity:**

RAB's range of Correlated Color Temperature follows the guidelines of the American National Standard for Specifications for the Chromaticity of Solid State Lighting (SSL) Products, ANSI C78.377-2017.

**Construction****Cold Weather Starting:**

The minimum starting temperature is -40°F (-40°C)

**Maximum Ambient Temperature:**

Suitable for use in up to 104°F (40°C)

**Lens:**

Polycarbonate lens

**Housing:**

Die-cast aluminum

**IK Rating:**

IK08 Protected against 5 joules of impact. Equivalent to the impact of a 3.75 lbs. (1.7kg) mass dropped from 11.8" (300mm) above the impacted surface.

**Effective Projected Area (EPA):**

EPA = 0.9

**Finish:**

Formulated for high durability and long-lasting color

**Gaskets:**

High-temperature silicone

**Technical Specifications (continued)**

**Green Technology:**

Mercury and UV free. RoHS-compliant components.

**Installation**

**Mounting:**

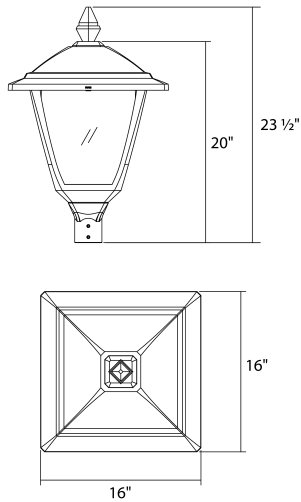
Universal pole adapter

**Other**

**5-Year Limited Warranty:**

The RAB 5-year, limited warranty covers light output, driver performance and paint finish. RAB's warranty is subject to all terms and conditions found at [rablighting.com/warranty](http://rablighting.com/warranty).

**Dimensions**



**Features**

- 100,000-hour LED Life
- 0-10V dimming standard
- 5-Year, limited warranty

**Ordering Matrix**

Family	Shape	Distribution	Size/Wattage	Mounting	Color Temp	Finish	Driver	Controls
HTG	S					B	/480	/LCBS/MVS
	R = Round S = Square	Blank = T3/T5	Blank = 120/100/80/60W	Blank = Pole Mount P = Pendant Mount WM = Wall Mount	Blank = 3000/4000/5000K	Blank = Bronze B = Black	Blank = 120-277V, 0-10V Dimming /480 = 480V, 0-10V Dimming	Blank = On/Off Photocell /7PRS = 7-Pin Receptacle with Shorting Cap /MVS = Microwave Sensor /LCBS/MVS = Lightcloud Blue w/MVS Sensor