



Color: Black

Weight: 10.3 lbs

<b>Project:</b>	<b>Type:</b>
<b>Prepared By:</b>	<b>Date:</b>

Driver Info		LED Info	
Type	Constant Current	Watts	120/100/80/60W
120V	0.98A/0.83A/0.65A/0.47A	Color Temp	3000K/4000K/5000K
208V	0.57A/0.48A/0.38A/0.27A	Color	82-86 CRI
240V	0.49A/0.41A/0.33A/0.23A	Accuracy	
277V	0.43A/0.36A/0.30A/0.23A	L70 Lifespan	100,000 Hours
Input Watts	54.2-117.5W	Lumens	5089-15401 lm
		Efficacy	83.7-143.8 lm/W

## Technical Specifications

### Field Adjustability

#### Field Adjustable:

Field Adjustable Light Output:  
120/100/80/60W (factory default 120W)  
Color Temperature Selectable:  
3000K, 4000K and 5000K (factory default 4000K)  
Distribution Selectable:  
Type III and Type V (factory default Type V)  
Photocell Selectable:  
Built-in on/off photocell (factory default: off)

### Compliance

#### UL Listed:

Suitable for wet locations

#### IESNA LM-79 & LM-80 Testing:

RAB LED luminaires and LED components have been tested by an independent laboratory in accordance with IESNA LM-79 and LM-80.

#### IP Rating:

Ingress protection rating of IP65 for dust and water

### Performance

#### Lifespan:

100,000-Hour LED lifespan based on IESIm-80 results and TM-21 calculations

### Electrical

#### Driver:

Constant Current, Class1, 120-277V, 50/60 Hz:  
120W: 120V: 0.95A, 208V: 0.55A, 240V: 0.48A, 277V 0.41A  
100W: 120V: 0.81A, 208V: 0.48A, 240V: 0.41A, 277V 0.36A  
80W: 120V: 0.64A, 208V: 0.39A, 240V: 0.34A, 277V 0.29A  
60W: 120V: 0.46A, 208V: 0.29A, 240V: 0.25A, 277V 0.22A

#### Dimming Driver:

Driver includes dimming control wiring for 0-10V dimming systems. Requires separate 0-10V DC dimming circuit. Dims down to 10%.

#### Aux Power Supply:

Yes

#### Dim to Off:

Yes

#### Photocell:

Integrated photocell included with on/off switch (factory default: off)

#### Operating Frequency:

50/60Hz

#### Input Current @ 120V (mA):

30mA

### Operating Temperature:

-4°F to 140°F (-20°C to 60°C)

### Optical

#### IES Classification:

Type III/IV/V Distribution Adjustable:  
The Type III distribution is ideal for roadway, general parking and other area lighting applications where a larger pool of lighting is required. It is intended to be located near the side of the area, allowing the light to project outward and fill the area.  
The Type IV distribution (also known as a Forward Throw) is especially suited for illuminating the perimeter of parking areas and for intersections. It produces a semicircular distribution with essentially the same candlepower at lateral angles from 90° to 270°.

The Type V distribution produces light in a wide and uniform 360° pattern that is perfect for large outdoor areas such as parking lots, corporate parks and retail settings

### LED Characteristics

#### LEDs:

Long-life, high-efficacy, surface-mount LEDs

#### Color Uniformity:

RAB's range of Correlated Color Temperature follows the guidelines of the American National Standard for Specifications for the Chromaticity of Solid State Lighting (SSL) Products, ANSI C78.377-2017.

## Technical Specifications (continued)

### Construction

#### Cold Weather Starting:

The minimum starting temperature is -40°F (-40°C)

#### Maximum Ambient Temperature:

Suitable for use in up to 104°F (40°C)

#### Lens:

Polycarbonate lens

#### Housing:

Die-cast aluminum

#### IK Rating:

IK08 Protected against 5 joules of impact. Equivalent to the impact of a 3.75 lbs. (1.7kg) mass dropped from 11.8" (300mm) above the impacted surface.

#### Effective Projected Area (EPA):

EPA = 0.9

#### Finish:

Formulated for high durability and long-lasting color

#### Gaskets:

High-temperature silicone

#### Green Technology:

Mercury and UV free. RoHS-compliant components.

### Installation

#### Mounting:

Universal pole adapter

### Sensor Settings

#### Sensor Connection Type:

Pogo pin

#### Max Mounting Height:

50 ft

#### Detection Range:

50 ft diameter mounted at 50 ft

#### Sensor Technology:

Microwave (MVS)

#### Default Setting:

Motion Sensitivity: High

Brightness when triggered : 100%

Hold time: 20 minutes

Standby to dim: 20%

Standby time: 1 minute

When vacant: Off

Daylight: Disabled

#### Adjustable Sensor Settings?:

Yes, using the MSR1 Remote (sold separately)

Standby to dim: 10%/20%/30%/50%

Standby time:

0s/10s/30s/1min/5min/10min/30min/60min/+∞

#### Daylight Threshold:

2Lux/10Lux/30Lux/50Lux/80Lux/120Lux/Disable

#### Remote Control Accessory:

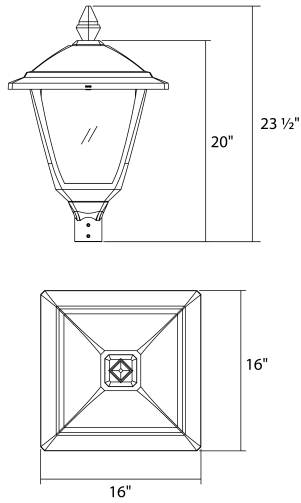
Adjust settings using remote control (catalog# MSR1). Only available with 0-10V dimming driver options. [Remote control available here.](#)

### Other

#### 5-Year Limited Warranty:

The RAB 5-year, limited warranty covers light output, driver performance and paint finish. RAB's warranty is subject to all terms and conditions found at [rablighting.com/warranty](http://rablighting.com/warranty).

**Dimensions**



**Features**

- 100,000-hour LED Life
- 0-10V dimming standard
- 5-Year, limited warranty

**Ordering Matrix**

Family	Shape	Distribution	Size/Wattage	Mounting	Color Temp	Finish	Driver	Controls
HTG	S					B		/MVS
	R = Round S = Square	Blank = T3/T5	Blank = 120/100/80/60W	Blank = Pole Mount P = Pendant Mount WM = Wall Mount	Blank = 3000/4000/5000K	Blank = Bronze B = Black	Blank = 120-277V, 0-10V Dimming /480 = 480V, 0-10V Dimming	Blank = On/Off Photocell /7PRS = 7-Pin Receptacle with Shorting Cap /MVS = Microwave Sensor /LCBS/MVS = Lightcloud Blue w/MVS Sensor