



Color: Bronze

Weight: 10.3 lbs

Project:	Type:
Prepared By:	Date:

Driver Info		LED Info	
Type	Constant Current	Watts	120/100/80/60W
120V	0.00A/0.00A/0.00A/0.00A	Color Temp	3000K/4000K/5000K
208V	0.00A/0.00A/0.00A/0.00A	Color Accuracy	82-86 CRI
240V	0.00A/0.00A/0.00A/0.00A	L70 Lifespan	100,000 Hours
277V	0.00A/0.00A/0.00A/0.00A	Lumens	5651-15702 lm
Input Watts	61.2-117.2W	Efficacy	85.7-141.9 lm/W

Technical Specifications

Field Adjustability

Field Adjustable:

Field Adjustable Light Output:
120/100/80/60W (factory default 120W)
Color Temperature Selectable:
3000K, 4000K and 5000K (factory default 4000K)
Distribution Selectable:
Type III and Type V (factory default Type V)
Photocell Selectable:
Built-in on/off photocell (factory default: off)

Compliance

UL Listed:

Suitable for wet locations

IESNA LM-79 & LM-80 Testing:

RAB LED luminaires and LED components have been tested by an independent laboratory in accordance with IESNA LM-79 and LM-80.

IP Rating:

Ingress protection rating of IP65 for dust and water

Performance

Lifespan:

100,000-Hour LED lifespan based on IESIm-80 results and TM-21 calculations

Electrical

Driver:

Constant Current, Class1, 480V, 50/60 Hz:
120W: 480V: 0.24A
100W: 480V: 0.20A
80W: 480V: 0.16A
60W: 480V: 0.11A

Dimming Driver:

Driver includes dimming control wiring for 0-10V dimming systems. Requires separate 0-10V DC dimming circuit. Dims down to 10%.

Aux Power Supply:

Yes

Dim to Off:

Yes

7-Pin Receptacle with Shorting Cap:

ANSI C136.41 7-pin receptacle, compatible with wireless control systems

Photocell:

Integrated photocell included with on/off switch (factory default: off)

Optical

IES Classification:

Type III/IV/V Distribution Adjustable:

The Type III distribution is ideal for roadway, general parking and other area lighting applications where a larger pool of lighting is required. It is intended to be located near the side of the area, allowing the light to project outward and fill the area.

The Type IV distribution (also known as a Forward Throw) is especially suited for illuminating the perimeter of parking areas and for intersections. It produces a semicircular distribution with essentially the same candlepower at lateral angles from 90° to 270°.

The Type V distribution produces light in a wide and uniform 360° pattern that is perfect for large outdoor areas such as parking lots, corporate parks and retail settings

LED Characteristics

LEDs:

Long-life, high-efficacy, surface-mount LEDs

Color Uniformity:

RAB's range of Correlated Color Temperature follows the guidelines of the American National Standard for Specifications for the Chromaticity of Solid State Lighting (SSL) Products, ANSI C78.377-2017.

Technical Specifications (continued)

Construction

Cold Weather Starting:

The minimum starting temperature is -40°F (-40°C)

Maximum Ambient Temperature:

Suitable for use in up to 104°F (40°C)

Lens:

Polycarbonate lens

Housing:

Die-cast aluminum

IK Rating:

IK08 Protected against 5 joules of impact. Equivalent to the impact of a 3.75 lbs. (1.7kg) mass dropped from 11.8" (300mm) above the impacted surface.

Effective Projected Area (EPA):

EPA = 0.9

Finish:

Formulated for high durability and long-lasting color

Gaskets:

High-temperature silicone

Green Technology:

Mercury and UV free. RoHS-compliant components.

Installation

Mounting:

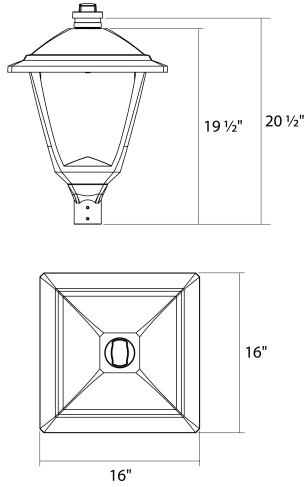
Universal pole adapter

Other

5-Year Limited Warranty:

The RAB 5-year, limited warranty covers light output, driver performance and paint finish. RAB's warranty is subject to all terms and conditions found at rablighting.com/warranty.

Dimensions



Features

- 100,000-hour LED Life
- 0-10V dimming standard
- 5-Year, limited warranty

Ordering Matrix

Family	Shape	Distribution	Size/Wattage	Mounting	Color Temp	Finish	Driver	Controls
HTG	S						/480	/7PRS
	R = Round S = Square	Blank = T3/T5	Blank = 120/100/80/60W	Blank = Pole Mount P = Pendant Mount WM = Wall Mount	Blank = 3000/4000/5000K	Blank = Bronze B = Black	Blank = 120-277V, 0-10V Dimming /480 = 480V, 0-10V Dimming	Blank = On/Off Photocell /7PRS = 7-Pin Receptacle with Shorting Cap /MVS = Microwave Sensor /LCBS/MVS = Lightcloud Blue w/MVS Sensor