

Project:	Type:
Prepared By:	Date:

Driver Info		LED Info	
Type	Constant Current	Watts	69W
120V	0.51A	Color Temp	5000K (Cool)
208V	0.31A	Color Accuracy	73 CRI
240V	0.27A	L70 Lifespan	100,000 Hours
277V	0.22A	Lumens	7,444 lm
Input Watts	61.1W	Efficacy	121.8 lm/W

Technical Specifications

Compliance

UL Listed:

Suitable for wet locations

IP Rating:

Ingress protection rating of IP66 for dust and water

Title 24 Compliant:

An IVEPARK edgelit garage fixture with a WS2 control option can be used to comply with 2016 Title 24 Part 6 Section 130.2 (a,b,c)

IESNA LM-79 & LM-80 Testing:

RAB LED luminaires and LED components have been tested by an independent laboratory in accordance with IESNA LM-79 and LM-80.

LED Characteristics

LEDs:

Long-life, high-efficacy, surface-mount LEDs

Color Stability:

LED color temperature is warrantied to Shift no more than 200K in color temperature over a 5-year period

Color Uniformity:

RAB's range of Correlated Color Temperature follows the guidelines of the American National Standard for Specifications for the Chromaticity of Solid State Lighting (SSL) Products, ANSI C78.377-2017.

Electrical

Driver:

Class 2, 50/60Hz, 120-277V, 4kV standard, 10kV optional, 120V: 0.51A, 208V: 0.31A, 240V: 0.27A, 277V: 0.22A

THD:

5.95% at 120V, 2.87% at 277V

Power Factor:

99.5% at 120V, 97.55% at 277V

Battery Backup:

Battery backup will operate the LED Lamp for 90 minutes if power fails. Wired for 120V-277V.

Battery Backup Light Loss Factor:

0.115

Performance

Lifespan:

Up to 100,000-Hour LED lifespan based on IESIm-80 results and TM-21 calculations

Wattage Equivalency:

Equivalent to 250W Metal Halide

Construction

Cold Weather Starting:

The minimum starting temperature is -4°F (-20°C)

Maximum Ambient Temperature:

Suitable for use in up to 104°F (40°C)

Lens:

Diffused Polymethyl Methacrylate (PMMA)

Finish:

Formulated for high durability and long-lasting color

Green Technology:

Mercury and UV free. RoHS-compliant components.

Installation

Mounting:

Surface mount standard (accessories available for wall, pole and trunnion mount)

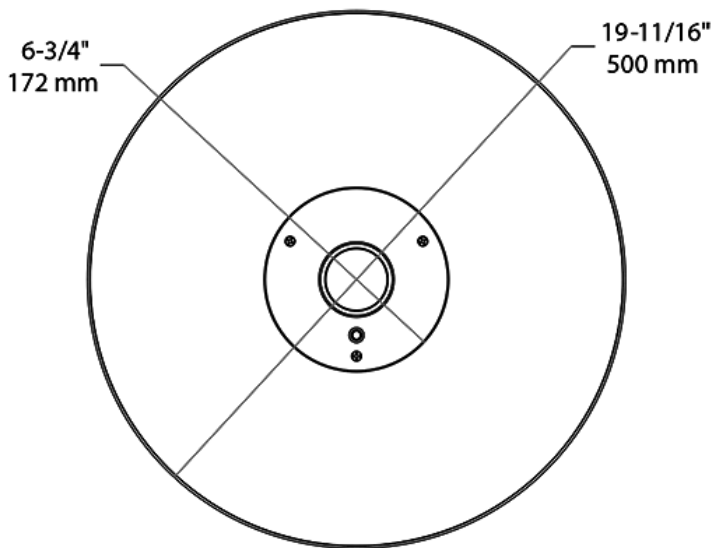
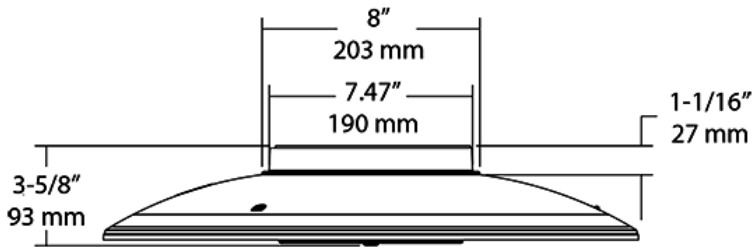
Technical Specifications (continued)

Other

5-Year, No-Compromise Warranty:

RAB warrants that our LED products will be free from defects in materials and workmanship for a period of five (5) years from the date of delivery to the end user, including coverage of light output, color stability, driver performance and fixture finish. RAB's warranty is subject to all terms and conditions found at rablighting.com/warranty.

Dimensions



Ordering Matrix

Family	Distribution		Lumen Output	CRI/Color Temp	Finish	Driver	Sensor Options	Lightcloud	Emergency Option
IVG	T5U	-	70L	750	W	U			/E2
	T5C = Type V Concentrated		30L = 3,600lm (28W)	750 = 70CRI 5000K	Z = Bronze ¹	U = 120-277V 0-10V Dimming	Blank = No Options /WS = 8ft lens Wattstopper	Blank = No Lightcloud® /LC = Lightcloud ²	Blank = No Options /E2 = Emergency ²
	T5U = Type V Wide with Uplight		50L = 5,500lm (45W)	740 = 70CRI 4000K	W = White	4 = 480V 0-10V Dimming	/WS2 = 20ft lens Wattstopper		
	T5CU = Type V Concentrated with Uplight		70L = 7,500lm (69W)	730 = 70CRI 3000K					
	T5 = Type V Wide								

¹ Available only for T5 and T5C distribution

² Applies to 120-277V

³ Consult Factory