



Color: Bronze

Weight: 6.5 lbs

**Project:**

**Type:**

**Prepared By:**

**Date:**

### Driver Info

Type	Constant Current
120V	0.79A/0.66A/0.49A
208V	0.46A/0.38A/0.32A
240V	0.40A/0.33A/0.27A
277V	0.35A/0.30A/0.24A
Input Watts	59.2-98.7W

### LED Info

Watts	100/80/60W
Color Temp	3000K/4000K/5000K
Color Accuracy	82-84 CRI
L70 Lifespan	100,000 Hours
Lumens	9123-15106 lm
Efficacy	138.6-168.4 lm/W

## Technical Specifications

### Field Adjustability

#### Field Adjustable:

Field Adjustable Light Output:  
100/80/60W (factory default 100W)  
Color Temperature Adjustable:  
3000K, 4000K and 5000K (factory default 4000K)

### Compliance

#### UL Listed:

Suitable for wet locations

#### IESNA LM-79 & LM-80 Testing:

RAB LED luminaires and LED components have been tested by an independent laboratory in accordance with IESNA LM-79 and LM-80.

#### IP Rating:

Ingress protection rating of IP66 for dust and water

#### DLC Listed:

This product family is listed with the DesignLights Consortium (DLC). Individual SKUs within this family may carry either a DLC Standard or DLC Premium qualification. Please refer to the individual product specification sheet or the DLC Qualified Products List (QPL) at [designlights.org](http://designlights.org) to confirm the qualification status of a specific SKU prior to specification or purchase.

### Electrical

#### Driver:

Constant Current, Class1, 120-277V, 50/60 Hz:  
100W: 120V: 0.79A, 208V: 0.46A, 240V: 0.40A, 277V: 0.35A  
80W: 120V: 0.66A, 208V: 0.38A, 240V: 0.33A, 277V: 0.30A  
60W: 120V: 0.49A, 208V: 0.32A, 240V: 0.27A, 277V: 0.24A

#### Dimming Driver:

Driver includes dimming control wiring for 0-10V dimming systems. Requires separate 0-10V DC dimming circuit. Dims down to 10%.

#### Surge Protection:

10 kV

#### Aux Power Supply:

Yes

#### Dim to Off:

Yes

#### 7-Pin Receptacle with Shorting Cap:

ANSI C136.41 7-pin receptacle, compatible with wireless control systems

### Optical

#### IES Classification:

The Type II distribution is ideal for wide walkways, on ramps and entrance roadways, bike paths and other long and narrow lighting applications. This type is meant for lighting larger areas and usually is located near the roadside. This type of lighting is commonly found on smaller side streets or jogging paths.

#### BUG Rating:

100W: B3-U0-G3  
80W: B2-U0-G2  
60W: B2-U0-G2

### LED Characteristics

#### LEDs:

Long-life, high-efficacy, surface-mount LEDs

#### Color Uniformity:

RAB's range of Correlated Color Temperature follows the guidelines of the American National Standard for Specifications for the Chromaticity of Solid State Lighting (SSL) Products, ANSI C78.377-2017.

### Performance

#### Lifespan:

100,000-Hour LED lifespan based on IESlm-80 results and TM-21 calculations

## Technical Specifications (continued)

### Construction

---

**IK Rating:**

IK08 Protected against 5 joules of impact. Equivalent to the impact of a 3.75 lbs. (1.7kg) mass dropped from 11.8" (300mm) above the impacted surface.

**Cold Weather Starting:**

The minimum starting temperature is -40°F (-40°C)

**Ambient Temperature:**

Suitable for use in up to 104°F (40°C)

**Housing:**

Die-cast aluminum

**Tilt Increment:**

Rotates in 2.5 degree increments

**Effective Projected Area (EPA):**

EPA = 0.37

**Lens:**

Clear polycarbonate lens

**Vibration Rating:**

3G vibration rating per ANSI C136.31

**Gaskets:**

High-temperature silicone

**Finish:**

Formulated for high durability and long-lasting color

**Green Technology:**

Mercury and UV free. RoHS-compliant components.

### Installation

---

**Mounting:**

Adjustable universal pole mount

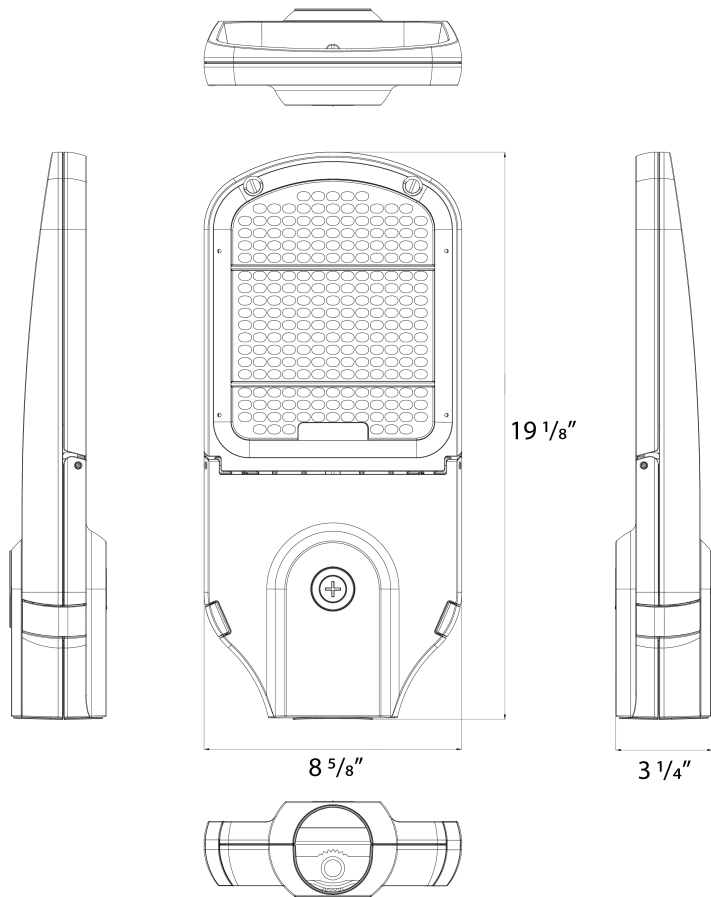
### Other

---

**10-Year Limited Warranty:**

The RAB 10-year, limited warranty covers light output, driver performance and paint finish. RAB's warranty is subject to all terms and conditions found at [rablighting.com/warranty](http://rablighting.com/warranty).

Dimensions



Ordering Matrix

Family	Distribution	Size/Wattage	Mounting	Color Temp	Finish	Driver	Controls
KAI	2T	100					/7PRS
	3T = Type III 4T = Type IV 2T = Type II	70 = 70/60/50W 100 = 100/80/60W 150 = 150/120/100W 200 = 200/180/160W	Blank = Adjustable Pole Mount	Blank = 3000/4000/5000K	Blank = Bronze RG = Roadway Gray	Blank = 120-277V, 0-10V Dimming /480 = 480V, 0-10V Dimming	Blank = None /7PRS = 7-Pin Receptacle with Shorting Cap /LCBS = Lightcloud Blue w/PIR Sensor /LCBS/MVS = Lightcloud Blue w/MVS Sensor