



Color: Bronze

Weight: 9.4 lbs

**Project:**

**Type:**

**Prepared By:**

**Date:**

### Driver Info

Type	Constant Current
120V	N/A
208V	N/A
240V	N/A
277V	N/A
Input Watts	97.8-153.6W

### LED Info

Watts	150/120/100W
Color Temp	3000K/4000K/5000K
Color Accuracy	83-85 CRI
L70 Lifespan	100,000 Hours
Lumens	14989-22796 lm
Efficacy	136.2-165.3 lm/W

## Technical Specifications

### Field Adjustability

#### Field Adjustable:

Field Adjustable Light Output:

150/120/100W (factory default 150W)

Color Temperature Adjustable:

3000K, 4000K and 5000K (factory default 4000K)

### Compliance

#### UL Listed:

Suitable for wet locations

#### IESNA LM-79 & LM-80 Testing:

RAB LED luminaires and LED components have been tested by an independent laboratory in accordance with IESNA LM-79 and LM-80.

#### IP Rating:

Ingress protection rating of IP66 for dust and water

#### DLC Listed:

This product family is listed with the DesignLights Consortium (DLC). Individual SKUs within this family may carry either a DLC Standard or DLC Premium qualification. Please refer to the individual product specification sheet or the DLC Qualified Products List (QPL) at [designlights.org](http://designlights.org) to confirm the qualification status of a specific SKU prior to specification or purchase.

### Electrical

#### Driver:

Constant Current, Class1, 480V, 50/60 Hz:

150W: 480V: 0.31A

120W: 480V: 0.25A

100W: 480V: 0.22A

#### Dimming Driver:

Driver includes dimming control wiring for 0-10V dimming systems. Requires separate 0-10V DC dimming circuit. Dims down to 10%.

#### Surge Protection:

10 kV

#### Aux Power Supply:

Yes

#### Dim to Off:

Yes

### Optical

#### IES Classification:

The Type IV distribution (also known as a Forward Throw) is especially suited for mounting on the sides of buildings and walls, and for illuminating the perimeter of parking areas. It produces a semicircular distribution with essentially the same candlepower at lateral angles from 90° to 270°.

### BUG Rating:

150W: B3-U0-G3

120W: B3-U0-G3

100W: B3-U0-G3

### LED Characteristics

#### LEDs:

Long-life, high-efficacy, surface-mount LEDs

#### Color Uniformity:

RAB's range of Correlated Color Temperature follows the guidelines of the American National Standard for Specifications for the Chromaticity of Solid State Lighting (SSL) Products, ANSI C78.377-2017.

### Performance

#### Lifespan:

100,000-Hour LED lifespan based on IESlm-80 results and TM-21 calculations

### Construction

#### IK Rating:

IK08 Protected against 5 joules of impact. Equivalent to the impact of a 3.75 lbs. (1.7kg) mass dropped from 11.8" (300mm) above the impacted surface.

#### Cold Weather Starting:

The minimum starting temperature is -40°F (-40°C)

## Technical Specifications (continued)

**Ambient Temperature:**

Suitable for use in up to 104°F (40°C)

**Housing:**

Die-cast aluminum

**Tilt Increment:**

Rotates in 2.5 degree increments

**Effective Projected Area (EPA):**

EPA = 0.45

**Lens:**

Clear polycarbonate lens

**Vibration Rating:**

3G vibration rating per ANSI C136.31

**Gaskets:**

High-temperature silicone

**Finish:**

Formulated for high durability and long-lasting color

**Green Technology:**

Mercury and UV free. RoHS-compliant components.

**Installation**

---

**Mounting:**

Adjustable universal pole mount

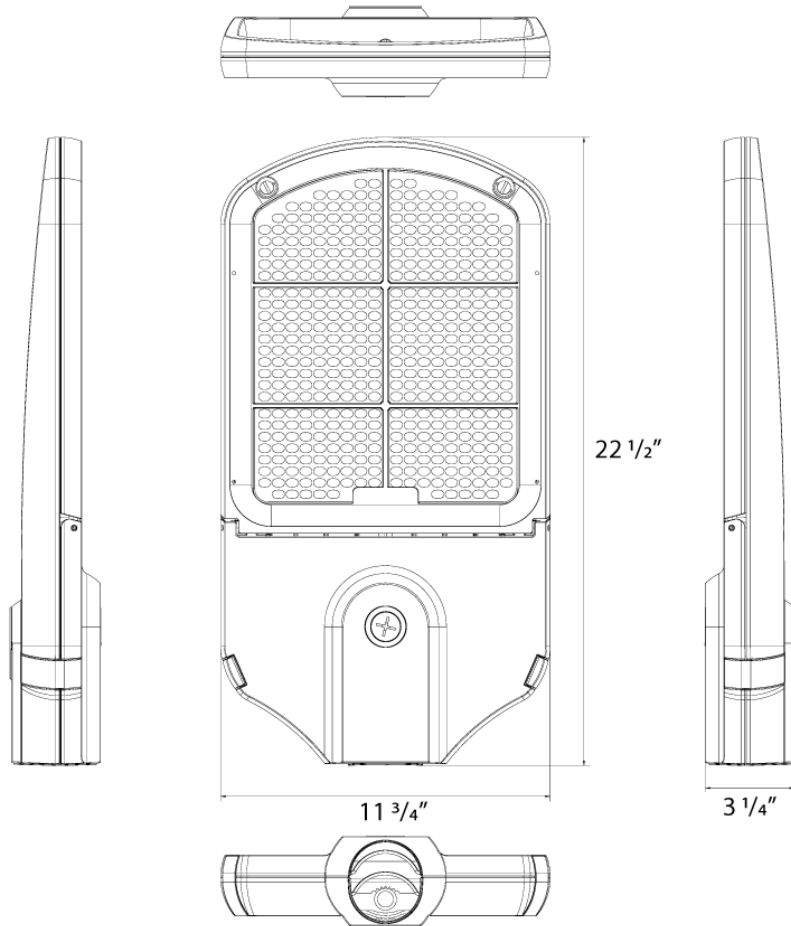
**Other**

---

**10-Year Limited Warranty:**

The RAB 10-year, limited warranty covers light output, driver performance and paint finish. RAB's warranty is subject to all terms and conditions found at [rablighting.com/warranty](http://rablighting.com/warranty).

Dimensions



Ordering Matrix

Family	Distribution	Size/Wattage	Mounting	Color Temp	Finish	Driver	Controls
KAI	4T	150				/480	
	3T = Type III 4T = Type IV 2T = Type II	70 = 70/60/50W 100 = 100/80/60W 150 = 150/120/100W 200 = 200/180/160W	Blank = Adjustable Pole Mount	Blank = 3000/4000/5000K	Blank = Bronze RG = Roadway Gray	Blank = 120-277V, 0-10V Dimming /480 = 480V, 0-10V Dimming	Blank = None /7PRS = 7-Pin Receptacle with Shorting Cap /LCBS = Lightcloud Blue w/PIR Sensor /LCBS/MVS = Lightcloud Blue w/MVS Sensor