



Color: Bronze

Weight: 6.4 lbs

Project:

Type:

Prepared By:

Date:

Driver Info

Type	Constant Current
120V	0.57A/0.46A/0.38A
208V	0.33A/0.26A/0.24A
240V	0.28A/0.23A/0.21A
277V	0.25A/0.21A/0.18A
Input Watts	46-71W

LED Info

Watts	70/60/50W
Color Temp	3000K/4000K/5000K
Color Accuracy	82-85 CRI
L70 Lifespan	100,000 Hours
Lumens	7003-10913 lm
Efficacy	141.2-165.1 lm/W

Technical Specifications

Field Adjustability

Field Adjustable:

Field Adjustable Light Output:
70/60/50W (factory default 70W)
Color Temperature Adjustable:
3000K, 4000K and 5000K (factory default 4000K)

Compliance

UL Listed:

Suitable for wet locations

IESNA LM-79 & LM-80 Testing:

RAB LED luminaires and LED components have been tested by an independent laboratory in accordance with IESNA LM-79 and LM-80.

IP Rating:

Ingress protection rating of IP66 for dust and water

DLC Listed:

This product family is listed with the DesignLights Consortium (DLC). Individual SKUs within this family may carry either a DLC Standard or DLC Premium qualification. Please refer to the individual product specification sheet or the DLC Qualified Products List (QPL) at designlights.org to confirm the qualification status of a specific SKU prior to specification or purchase.

Electrical

Driver:

Constant Current, Class1, 120-277V, 50/60 Hz:
70W: 120V: 0.57A, 208V: 0.33A, 240V: 0.28A, 277V: 0.25A
60W: 120V: 0.46A, 208V: 0.26A, 240V: 0.23A, 277V: 0.21A
50W: 120V: 0.38A, 208V: 0.24A, 240V: 0.21A, 277V: 0.18A

Dimming Driver:

Driver includes dimming control wiring for 0-10V dimming systems. Requires separate 0-10V DC dimming circuit. Dims down to 10%.

Surge Protection:

10 kV

Aux Power Supply:

Yes

Dim to Off:

Yes

7-Pin Receptacle with Shorting Cap:

ANSI C136.41 7-pin receptacle, compatible with wireless control systems

Optical

IES Classification:

The Type IV distribution (also known as a Forward Throw) is especially suited for mounting on the sides of buildings and walls, and for illuminating the perimeter of parking areas. It produces a semicircular distribution with essentially the same candlepower at lateral angles from 90° to 270°.

BUG Rating:

70W: B2-U0-G2
60W: B2-U0-G2
50W: B2-U0-G1

LED Characteristics

LEDs:

Long-life, high-efficacy, surface-mount LEDs

Color Uniformity:

RAB's range of Correlated Color Temperature follows the guidelines of the American National Standard for Specifications for the Chromaticity of Solid State Lighting (SSL) Products, ANSI C78.377-2017.

Performance

Lifespan:

100,000-Hour LED lifespan based on IESlm-80 results and TM-21 calculations

Technical Specifications (continued)

Construction

IK Rating:

IK08 Protected against 5 joules of impact. Equivalent to the impact of a 3.75 lbs. (1.7kg) mass dropped from 11.8" (300mm) above the impacted surface.

Cold Weather Starting:

The minimum starting temperature is -40°F (-40°C)

Ambient Temperature:

Suitable for use in up to 104°F (40°C)

Housing:

Die-cast aluminum

Tilt Increment:

Rotates in 2.5 degree increments

Effective Projected Area (EPA):

EPA = 0.37

Lens:

Clear polycarbonate lens

Vibration Rating:

3G vibration rating per ANSI C136.31

Gaskets:

High-temperature silicone

Finish:

Formulated for high durability and long-lasting color

Green Technology:

Mercury and UV free. RoHS-compliant components.

Installation

Mounting:

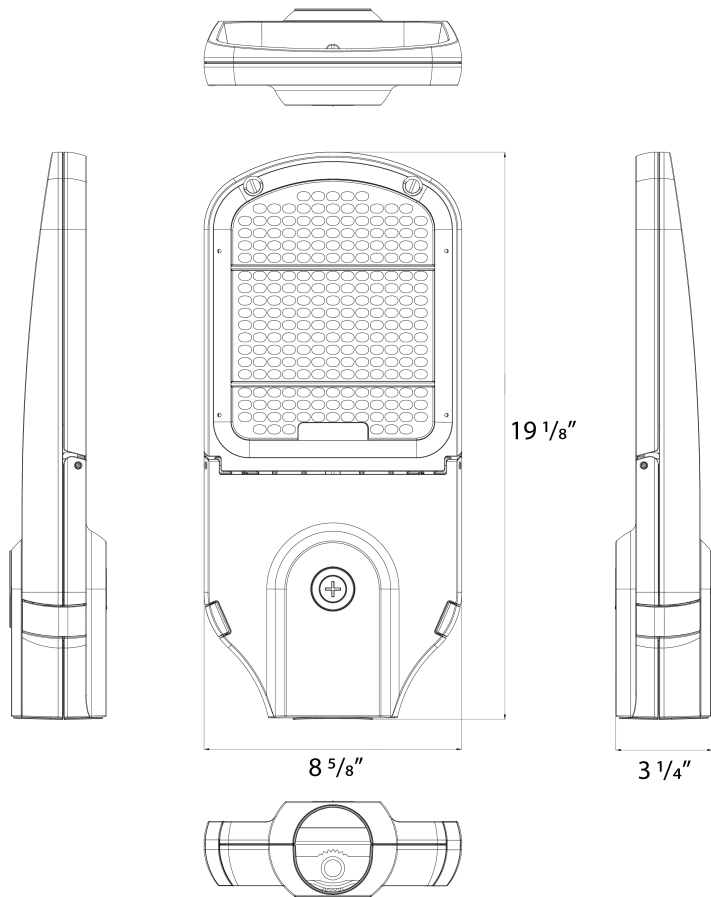
Adjustable universal pole mount

Other

10-Year Limited Warranty:

The RAB 10-year, limited warranty covers light output, driver performance and paint finish. RAB's warranty is subject to all terms and conditions found at rablighting.com/warranty.

Dimensions



Ordering Matrix

Family	Distribution	Size/Wattage	Mounting	Color Temp	Finish	Driver	Controls
KAI	4T	70					/7PRS
	3T = Type III 4T = Type IV 2T = Type II	70 = 70/60/50W 100 = 100/80/60W 150 = 150/120/100W 200 = 200/180/160W	Blank = Adjustable Pole Mount	Blank = 3000/4000/5000K	Blank = Bronze RG = Roadway Gray	Blank = 120-277V, 0-10V Dimming /480 = 480V, 0-10V Dimming	Blank = None /7PRS = 7-Pin Receptacle with Shorting Cap /LCBS = Lightcloud Blue w/PIR Sensor /LCBS/MVS = Lightcloud Blue w/MVS Sensor