



Color: Black

Weight: 1.4 lbs

|                     |              |
|---------------------|--------------|
| <b>Project:</b>     | <b>Type:</b> |
| <b>Prepared By:</b> | <b>Date:</b> |

| Driver Info |                  | LED Info       |                      |
|-------------|------------------|----------------|----------------------|
| Type        | Constant Current | Watts          | 20W                  |
| 120V        | 0.20A            | Color Temp     | 3000K-5000K          |
| 208V        | N/A              | Color Accuracy | 81/84/84 CRI         |
| 240V        | N/A              | L70 Lifespan   | 100,000 Hours        |
| 277V        | N/A              | Lumens         | 2,000/2,072/2,094 lm |
| Input Watts | 19.6/19.7/19.8W  | Efficacy       | 102/105.2/105.8 lm/W |

## Technical Specifications

### Field Adjustability

#### Color Tunable:

3 discrete color temperatures

### Compliance

#### UL Listed:

Suitable for wet locations

#### IP Rating:

Ingress protection rating of IP65 for dust and water

#### IESNA LM-79 & LM-80 Testing:

RAB LED luminaires and LED components have been tested by an independent laboratory in accordance with IESNA LM-79 and LM-80.

#### Trade Agreements Act Compliant:

This product is a product of Cambodia and a "designated country" end product that complies with the Trade Agreements Act

#### DLC Listed:

This product family is listed with the DesignLights Consortium (DLC). Individual SKUs within this family may carry either a DLC Standard or DLC Premium qualification. Please refer to the individual product specification sheet or the DLC Qualified Products List (QPL) at [designlights.org](http://designlights.org) to confirm the qualification status of a specific SKU prior to specification or purchase.

### LED Characteristics

#### LEDs:

Long-life, high-efficacy, discrete, surface-mount LEDs

#### Color Consistency:

7-step MacAdam Ellipse binning to achieve consistent fixture-to-fixture color

#### Color Uniformity:

RAB's range of Correlated Color Temperature follows the guidelines of the American National Standard for (SSL) Products, ANSI C78.377-2017.

### Electrical

#### Driver:

20W: Constant Current, Class 1, 120V, 60 Hz, 120V: 0.20A

#### THD:

13.37% at 120V

#### Power Factor:

97.9% at 120V

#### Dim to Off:

No

#### Aux Power Supply:

No

#### Photocell:

Integrated photocell included with on/off switch (factory default: off)

### Sensor Settings

#### Surge Protection:

1 kV

### Performance

#### Lifespan:

100,000-Hour LED lifespan based on IESIm-80 results and TM-21 calculations

### Construction

#### Cold Weather Starting:

The minimum starting temperature is -4°F (-20°C)

## Technical Specifications (continued)

### Maximum Ambient Temperature:

Suitable for use in up to 122°F (50°C)

### Housing:

Polycarbonate

### Reflector:

Polycarbonate

### Effective Projected Area (EPA):

2000 square foot

### Lens:

Polycarbonate lens

### Finish:

Formulated for high durability and long-lasting color

### Green Technology:

Mercury and UV free. RoHS-compliant components.

## Installation

### Mounting:

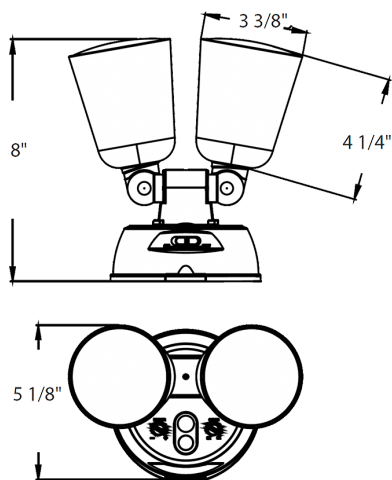
Wall mount

## Other

### 5-Year Limited Warranty:

The RAB 5-year, limited warranty covers light output, driver performance and paint finish. RAB's warranty is subject to all terms and conditions found at [rablighting.com/warranty](http://rablighting.com/warranty).

## Dimensions



## Features

- 100,000-Hour LED lifespan
- DLC Listed
- 5-Year, limited warranty

## Ordering Matrix

| Family | Wattage | Color Temp | Finish | Driver |
|--------|---------|------------|--------|--------|
| L2X    |         |            | B      |        |

**Blank** = 20W    **Blank** = 3000-5000K Tunable    **Blank** = Bronze  
**W** = White  
**B** = Black    **Blank** = 120V, Stepless Dimming