



Economical low-profile 13W LED floodlight delivers a wide 6H X 6V beam distribution and replaces 75 Watt halogen BR30.

Color: Bronze

Weight: 1.3 lbs

<b>Project:</b>	<b>Type:</b>
<b>Prepared By:</b>	<b>Date:</b>

Driver Info		LED Info	
Type	Constant Current	Watts	13W
120V	0.10A	Color Temp	4000K (Neutral)
208V	N/A	Color Accuracy	84 CRI
240V	N/A	L70 Lifespan	60,000 Hours
277V	N/A	Lumens	1,347 lm
Input Watts	11.1W	Efficacy	121.4 lm/W

**Technical Specifications**

**Compliance**

**UL Listed:**

Suitable for wet locations. Suitable for mounting within 4 ft of the ground.

**IP Rating:**

Ingress protection rating of IP66 for dust and water

**IESNA LM-79 & LM-80 Testing:**

RAB LED luminaires and LED components have been tested by an independent laboratory in accordance with IESNA LM-79 and LM-80.

**DLC Listed:**

This product family is listed with the DesignLights Consortium (DLC). Individual SKUs within this family may carry either a DLC Standard or DLC Premium qualification. Please refer to the individual product specification sheet or the DLC Qualified Products List (QPL) at [designlights.org](http://designlights.org) to confirm the qualification status of a specific SKU prior to specification or purchase.

**Optical**

**NEMA Type:**

6H x 6V Beam Spread

**Construction**

**Cold Weather Starting:**

The minimum starting temperature is -40°F (-40°C)

**Maximum Ambient Temperature:**

Suitable for use in up to 104°F (40°C)

**Housing:**

Precision die-cast aluminum housing, lens frame and mounting arm

**Reflector:**

Vacuum-metallized polycarbonate

**Lens:**

Diffused glass for smooth, even light distribution

**Gaskets:**

High-temperature silicone gaskets

**Finish:**

Our environmentally friendly polyester powder coatings are formulated for high-durability and long-lasting color

**Green Technology:**

Mercury and UV free. RoHS-compliant components.

**LED Characteristics**

**LEDs:**

Long-life, high-efficacy, surface-mount LEDs

**Color Uniformity:**

RAB's range of Correlated Color Temperature follows the guidelines of the American National Standard for Specifications for the Chromaticity of Solid State Lighting (SSL) Products, ANSI C78.377-2017.

**Installation**

**Mounting:**

Heavy-duty mounting arm with "O" ring seal, wire seal plug & stainless steel screw

**Other**

**5-Year Limited Warranty:**

The RAB 5-year, limited warranty covers light output, driver performance and paint finish. RAB's warranty is subject to all terms and conditions found at [rablighting.com/warranty](http://rablighting.com/warranty).

**Performance**

**Wattage Equivalency:**

75W PAR30

**Electrical**

**Driver:**

120V driver, 50/60/ Hz, 120V: 0.10A

**Technical Specifications (continued)**

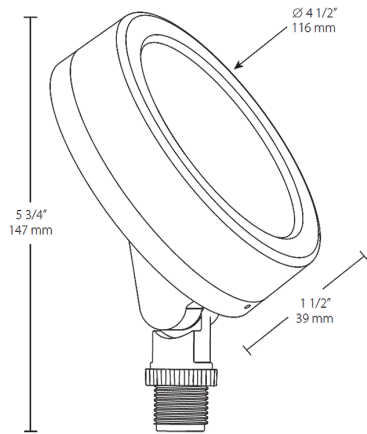
**THD:**

11.1% at 120V

**Power Factor:**

99.1% at 120V

**Dimensions**



**Features**

- Equivalent to 75W halogen BR30 wide flood
- Wide 6H x 6V distribution
- Diffused lens for smooth, even light distribution
- Very low profile
- Adjustable knuckle
- 60,000-Hour LED lifespan

**Ordering Matrix**

Family	Wattage	Color Temp	Finish
LES	13	N	

13 = 13W

Blank = 5000K Cool  
 N = 4000K Neutral  
 Y = 3000K Warm

Blank = Bronze  
 B = Black<sup>1</sup>  
 VG = Verde Green<sup>1</sup>  
 W = White

<sup>1</sup> Not available with sensor.