



Two adjustable 13W LED floodlights. Equivalent to 2x75W BR30/halogen/wide floods. Diffusion lens optimizes light output without glare.

Color: Bronze

Weight: 3.0 lbs

Project:

Type:

Prepared By:

Date:

Driver Info

Type	Constant Current
120V	0.20A
208V	N/A
240V	N/A
277V	N/A
Input Watts	22.2W

LED Info

Watts	26W
Color Temp	4000K (Neutral)
Color Accuracy	84 CRI
L70 Lifespan	60,000 Hours
Lumens	2,694 lm
Efficacy	121.4 lm/W

Technical Specifications

Compliance

UL Listed:

Suitable for wet locations. Suitable for mounting within 4 ft of the ground.

IESNA LM-79 & LM-80 Testing:

RAB LED luminaires and LED components have been tested by an independent laboratory in accordance with IESNA LM-79 and LM-80.

DLC Listed:

This product family is listed with the DesignLights Consortium (DLC). Individual SKUs within this family may carry either a DLC Standard or DLC Premium qualification. Please refer to the individual product specification sheet or the DLC Qualified Products List (QPL) at designlights.org to confirm the qualification status of a specific SKU prior to specification or purchase.

Optical

NEMA Type:

6H x 6V Beam Spread

Construction

Cold Weather Starting:

The minimum starting temperature is -40°F (-40°C)

Maximum Ambient Temperature:

Suitable for use in up to 104°F (40°C)

Housing:

Precision die-cast aluminum housing, lens frame and mounting arm

Reflector:

Vacuum-metallized polycarbonate

Lens:

Diffused glass for smooth, even light distribution

Gaskets:

High-temperature silicone gaskets

Finish:

Our environmentally friendly polyester powder coatings are formulated for high-durability and long-lasting color

Green Technology:

Mercury and UV free. RoHS-compliant components.

LED Characteristics

LEDs:

Long-life, high-efficacy, surface-mount LEDs

Color Uniformity:

RAB's range of Correlated Color Temperature follows the guidelines of the American National Standard for Specifications for the Chromaticity of Solid State Lighting (SSL) Products, ANSI C78.377-2017.

Installation

Mounting:

Pre-Assembled and wired for easy mounting EZ Hang hook. Compatible with round and rectangular surface mount boxes as well as recessed boxes.

Other

5-Year Limited Warranty:

The RAB 5-year, limited warranty covers light output, driver performance and paint finish. RAB's warranty is subject to all terms and conditions found at rablighting.com/warranty.

Electrical

Driver:

120V driver, 50/60/ Hz, 120V: 0.20A

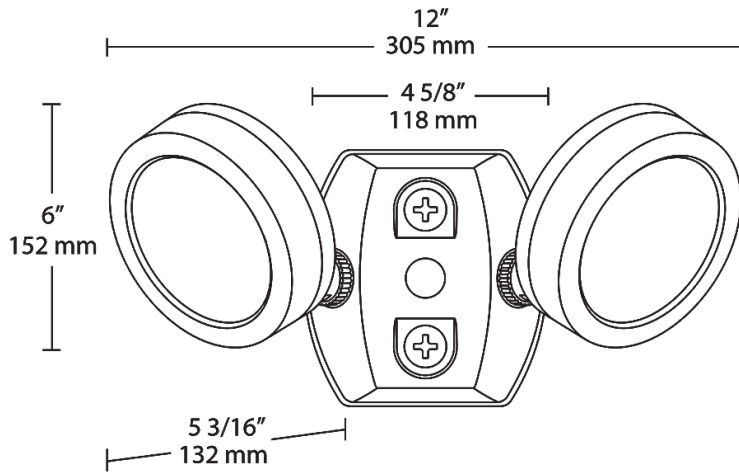
THD:

11.1% at 120V

Power Factor:

99.1% at 120V

Dimensions



Features

- Equivalent to two 75W halogen BR30 wide floods
- 6H x 6V beam distribution delivers ample light
- Diffused lens for smooth, even light distribution
- Adjustable knuckle
- 60,000-Hour LED lifespan

Ordering Matrix

Family	Wattage	Color Temp	Finish
LES	2X13	N	

2X13 = 2 x 13W

Blank = 5000K Cool
 N = 4000K Neutral
 Y = 3000K Warm

Blank = Bronze
 W = White
 B = Black¹
 VG = Verde Green¹

¹ Not available with sensor.