



Two adjustable 13W LED floodlights. Equivalent to 2x75W BR30/halogen/wide floods. Diffusion lens optimizes light output without glare.

Color: Bronze

Weight: 3.0 lbs

Project:

Type:

Prepared By:

Date:

### Driver Info

|             |                  |
|-------------|------------------|
| Type        | Constant Current |
| 120V        | 0.20A            |
| 208V        | N/A              |
| 240V        | N/A              |
| 277V        | N/A              |
| Input Watts | 22.2W            |

### LED Info

|                |              |
|----------------|--------------|
| Watts          | 26W          |
| Color Temp     | 3000K (Warm) |
| Color Accuracy | 83 CRI       |
| L70 Lifespan   | 60,000 Hours |
| Lumens         | 2,538 lm     |
| Efficacy       | 114.3 lm/W   |

## Technical Specifications

### Compliance

#### UL Listed:

Suitable for wet locations. Suitable for mounting within 4 ft of the ground.

#### IESNA LM-79 & LM-80 Testing:

RAB LED luminaires and LED components have been tested by an independent laboratory in accordance with IESNA LM-79 and LM-80.

#### DLC Listed:

This product family is listed with the DesignLights Consortium (DLC). Individual SKUs within this family may carry either a DLC Standard or DLC Premium qualification. Please refer to the individual product specification sheet or the DLC Qualified Products List (QPL) at [designlights.org](http://designlights.org) to confirm the qualification status of a specific SKU prior to specification or purchase.

### Optical

#### NEMA Type:

6H x 6V Beam Spread

### Construction

#### Cold Weather Starting:

The minimum starting temperature is -40°F (-40°C)

#### Maximum Ambient Temperature:

Suitable for use in up to 104°F (40°C)

#### Housing:

Precision die-cast aluminum housing, lens frame and mounting arm

#### Reflector:

Vacuum-metallized polycarbonate

#### Lens:

Diffused glass for smooth, even light distribution

#### Gaskets:

High-temperature silicone gaskets

#### Finish:

Our environmentally friendly polyester powder coatings are formulated for high-durability and long-lasting color

#### Green Technology:

Mercury and UV free. RoHS-compliant components.

### LED Characteristics

#### LEDs:

Long-life, high-efficacy, surface-mount LEDs

#### Color Uniformity:

RAB's range of Correlated Color Temperature follows the guidelines of the American National Standard for Specifications for the Chromaticity of Solid State Lighting (SSL) Products, ANSI C78.377-2017.

### Installation

#### Mounting:

Pre-Assembled and wired for easy mounting EZ Hang hook. Compatible with round and rectangular surface mount boxes as well as recessed boxes.

### Other

#### 5-Year Limited Warranty:

The RAB 5-year, limited warranty covers light output, driver performance and paint finish. RAB's warranty is subject to all terms and conditions found at [rablighting.com/warranty](http://rablighting.com/warranty).

### Electrical

#### Driver:

120V driver, 50/60/ Hz, 120V: 0.20A

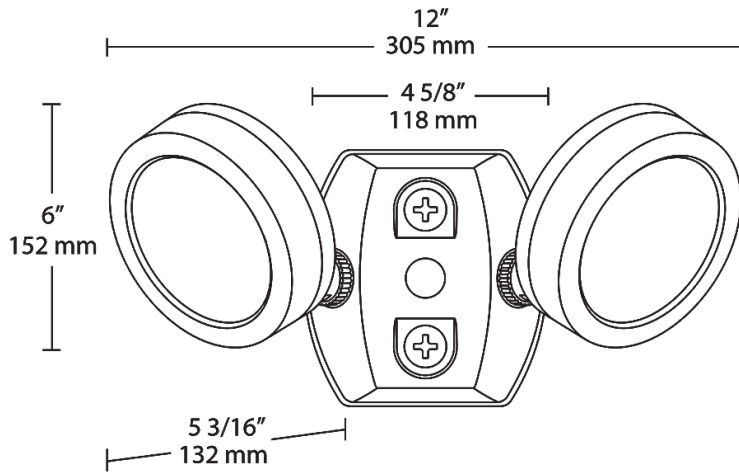
#### THD:

11.1% at 120V

#### Power Factor:

99.1% at 120V

## Dimensions



## Features

- Equivalent to two 75W halogen BR30 wide floods
- 6H x 6V beam distribution delivers ample light
- Diffused lens for smooth, even light distribution
- Adjustable knuckle
- 60,000-Hour LED lifespan

## Ordering Matrix

| Family | Wattage | Color Temp | Finish |
|--------|---------|------------|--------|
| LES    | 2X13    | Y          |        |

2X13 = 2 x 13W

Blank = 5000K Cool  
N = 4000K Neutral  
Y = 3000K Warm

Blank = Bronze  
W = White  
B = Black<sup>1</sup>  
VG = Verde Green<sup>1</sup>

<sup>1</sup> Not available with sensor.