



Color: Black

Weight: 1.1 lbs

<b>Project:</b>	<b>Type:</b>
<b>Prepared By:</b>	<b>Date:</b>

Driver Info		LED Info	
Type	Constant Current	Watts	8/5/4/2/1W
120V	0.07A	Color Temp	2700/3000/3500/4000/5000K
208V	N/A	Color Accuracy	82-86 CRI
240V	N/A	L70 Lifespan	50,000 Hours
277V	N/A	Lumens	179-1,115 lm
Input Watts	1.5-8W	Efficacy	119.3-149.5 lm/W

**Technical Specifications**

**Field Adjustability**

**Field Adjustable:**

Field Adjustable Light Output:  
8W/5W/4W/2W/1W (factory default 8W)  
Color temperature (selectable by 2700K, 3000K, 3500K, 4000K and 5000K)

**Compliance**

**UL Listed:**

Suitable for wet locations

**IP Rating:**

Ingress protection rating of IP65 for dust and water

**Trade Agreements Act Compliant:**

This product is a product of Cambodia and a "designated country" end product that complies with the Trade Agreements Act

**IESNA LM-79 & LM-80 Testing:**

RAB LED luminaires and LED components have been tested by an independent laboratory in accordance with IESNA LM-79 and LM-80.

**LED Characteristics**

**LEDs:**

Long-life, high-efficacy, discrete, surface-mount LEDs

**Color Consistency:**

7-step MacAdam Ellipse binning to achieve consistent fixture-to-fixture color

**Color Uniformity:**

RAB's range of Correlated Color Temperature follows the guidelines of the American National Standard for (SSL) Products, ANSI C78.377-2017.

**Electrical**

**Driver:**

8W: Constant Current, Class P, 120V, 50/60 Hz, 120V: 0.07A  
5W: Constant Current, Class P, 120V, 50/60 Hz, 120V: 0.04A  
4W: Constant Current, Class P, 120V, 50/60 Hz, 120V: 0.03A  
2W: Constant Current, Class P, 120V, 50/60 Hz, 120V: 0.02A  
1W: Constant Current, Class P, 120V, 50/60 Hz, 120V: 0.01A

**Dimming Driver:**

Driver includes dimming control wiring for 0-10V dimming systems. Requires separate 0-10V DC dimming circuit. Dims down to 10%.

**THD:**

7.7% at 120V

**Power Factor:**

99.7% at 120V

**Dim to Off:**

Yes

**Aux Power Supply:**

No

**Surge Protection:**

2.5 kV

**Performance**

**Lifespan:**

50,000-Hour LED lifespan based on IESIm-80 results and TM-21 calculations

**Construction**

**Cold Weather Starting:**

The minimum starting temperature is -40°F (-40°C)

**Maximum Ambient Temperature:**

Suitable for use in up to 104°F (40°C)

**Housing:**

Die-cast aluminum

**Lens:**

Polymethyl Methacrylate (PMMA)

**Gaskets:**

O-ring silicone

**Technical Specifications (continued)**

**Finish:**  
Formulated for high durability and long-lasting color

**Green Technology:**  
Mercury and UV free. RoHS-compliant components.

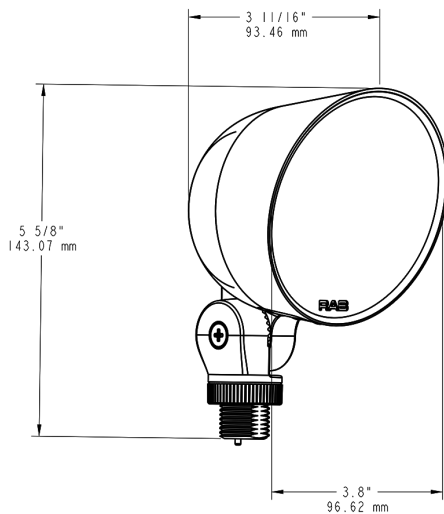
**Installation**

**Mounting:**  
Knuckle arm mount

**Other**

**5-Year Limited Warranty:**  
The RAB 5-year, limited warranty covers light output, driver performance and paint finish. RAB's warranty is subject to all terms and conditions found at [rablighting.com/warranty](http://rablighting.com/warranty).

**Dimensions**



**Features**

- 50,000-hour LED Life
- 0-10V dimming standard
- IP65 rating protects against dust and water
- 5-Year, limited warranty

**Ordering Matrix**

Family	Wattage	Mounting	Color Temp	Finish	Driver
LF17				B	
Blank = 8/5/4/2/1W		Blank = Knuckle Arm	Blank = 2700/3000/3500/4000/5000K CCT Adjustable	Blank = Bronze B = Black W = White	Blank = 120V, 0-10V Dimming