



Project:	Type:
Prepared By:	Date:

Driver Info		LED Info	
Type	Constant Current	Watts	8/5/4/2/1W
120V	0.07A	Color Temp	2700/3000/3500/4000/5000K
208V	N/A	Color Accuracy	82-86 CRI
240V	N/A	L70 Lifespan	50,000 Hours
277V	N/A	Lumens	179-1,115 lm
Input Watts	1.5-8W	Efficacy	119.3-149.5 lm/W

Technical Specifications

Field Adjustability

Field Adjustable:

Field Adjustable Light Output:
8W/5W/4W/2W/1W (factory default 8W)
Color temperature (selectable by 2700K, 3000K, 3500K, 4000K and 5000K)

Compliance

UL Listed:

Suitable for wet locations

IP Rating:

Ingress protection rating of IP65 for dust and water

Trade Agreements Act Compliant:

This product is a product of Cambodia and a "designated country" end product that complies with the Trade Agreements Act

IESNA LM-79 & LM-80 Testing:

RAB LED luminaires and LED components have been tested by an independent laboratory in accordance with IESNA LM-79 and LM-80.

LED Characteristics

LEDs:

Long-life, high-efficacy, discrete, surface-mount LEDs

Color Consistency:

7-step MacAdam Ellipse binning to achieve consistent fixture-to-fixture color

Color Uniformity:

RAB's range of Correlated Color Temperature follows the guidelines of the American National Standard for (SSL) Products, ANSI C78.377-2017.

Electrical

Driver:

8W: Constant Current, Class P, 120V, 50/60 Hz, 120V: 0.07A
5W: Constant Current, Class P, 120V, 50/60 Hz, 120V: 0.04A
4W: Constant Current, Class P, 120V, 50/60 Hz, 120V: 0.03A
2W: Constant Current, Class P, 120V, 50/60 Hz, 120V: 0.02A
1W: Constant Current, Class P, 120V, 50/60 Hz, 120V: 0.01A

Dimming Driver:

Driver includes dimming control wiring for 0-10V dimming systems. Requires separate 0-10V DC dimming circuit. Dims down to 10%.

THD:

7.7% at 120V

Power Factor:

99.7% at 120V

Dim to Off:

Yes

Aux Power Supply:

No

Surge Protection:

2.5 kV

Performance

Lifespan:

50,000-Hour LED lifespan based on IESIm-80 results and TM-21 calculations

Construction

Cold Weather Starting:

The minimum starting temperature is -40°F (-40°C)

Maximum Ambient Temperature:

Suitable for use in up to 104°F (40°C)

Housing:

Die-cast aluminum

Lens:

Polymethyl Methacrylate (PMMA)

Gaskets:

O-ring silicone

Technical Specifications (continued)

Finish:
Formulated for high durability and long-lasting color

Green Technology:
Mercury and UV free. RoHS-compliant components.

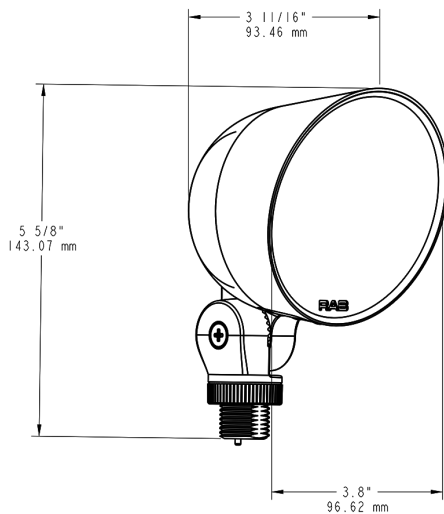
Installation

Mounting:
Knuckle arm mount

Other

5-Year Limited Warranty:
The RAB 5-year, limited warranty covers light output, driver performance and paint finish. RAB's warranty is subject to all terms and conditions found at rablighting.com/warranty.

Dimensions



Features

- 50,000-hour LED Life
- 0-10V dimming standard
- IP65 rating protects against dust and water
- 5-Year, limited warranty

Ordering Matrix

Family	Wattage	Mounting	Color Temp	Finish	Driver
LF17				W	
	Blank = 8/5/4/2/1W	Blank = Knuckle Arm	Blank = 2700/3000/3500/4000/5000K CCT Adjustable	Blank = Bronze B = Black W = White	Blank = 120V, 0-10V Dimming