



Color: Bronze

Weight: 2.8 lbs

Project:	Type:
Prepared By:	Date:

Driver Info		LED Info	
Type	Constant Current	Watts	16/10/8/5/3W
120V	0.14A	Color Temp	2700/3000/3500/4000/5000K
208V	N/A	Color Accuracy	82-86 CRI
240V	N/A	L70 Lifespan	50,000 Hours
277V	N/A	Lumens	358-2,230 lm
Input Watts	3-16W	Efficacy	119.3-149.5 lm/W

Technical Specifications

Field Adjustability

Field Adjustable:

Field Adjustable Light Output:
16W/10W/8W/5W/3W (factory default 16W)
Color temperature (selectable by 2700K, 3000K, 3500K, 4000K and 5000K)

Compliance

UL Listed:

Suitable for wet locations

IP Rating:

Ingress protection rating of IP65 for dust and water

Trade Agreements Act Compliant:

This product is a product of Cambodia and a "designated country" end product that complies with the Trade Agreements Act

IESNA LM-79 & LM-80 Testing:

RAB LED luminaires and LED components have been tested by an independent laboratory in accordance with IESNA LM-79 and LM-80.

LED Characteristics

LEDs:

Long-life, high-efficacy, discrete, surface-mount LEDs

Color Consistency:

7-step MacAdam Ellipse binning to achieve consistent fixture-to-fixture color

Color Uniformity:

RAB's range of Correlated Color Temperature follows the guidelines of the American National Standard for (SSL) Products, ANSI C78.377-2017.

LED Detection Indicator:

LED glows red day & night for "on guard" deterrence

Electrical

Driver:

8W: Constant Current, Class P, 120V, 50/60 Hz, 120V: 0.07A
5W: Constant Current, Class P, 120V, 50/60 Hz, 120V: 0.04A
4W: Constant Current, Class P, 120V, 50/60 Hz, 120V: 0.03A
2W: Constant Current, Class P, 120V, 50/60 Hz, 120V: 0.02A
1W: Constant Current, Class P, 120V, 50/60 Hz, 120V: 0.01A

Dimming Driver:

Driver includes dimming control wiring for 0-10V dimming systems. Requires separate 0-10V DC dimming circuit. Dims down to 10%.

THD:

7.7% at 120V

Power Factor:

99.7% at 120V

Dim to Off:

Yes

Aux Power Supply:

No

Surge Protection:

2.5 kV

Manual Override:

Double flip wall switch logic prevents activation by brief power outages. Resets after 6 hours. No extra wiring needed.

RF Immunity:

Circuits fully shielded for maximum radio frequency immunity

Incandescent Watts Switched:

500W @ 120 volts

Fluorescent Watts Switched:

250W @ 120 volts

Technical Specifications (continued)

Ratings:

5 amps

Power Consumption:

Negligible

Manual Switch:

None

Switching Capacity:

Relay On/Off Model Switches 240W when lights are mounted to sensor. 500W Incandescent or 240W Fluorescent of remotely mounted lighting @ 120 volts.

Performance

Lifespan:

50,000-Hour LED lifespan based on IESIm-80 results and TM-21 calculations

Construction

Cold Weather Starting:

The minimum starting temperature is -40°F (-40°C)

Maximum Ambient Temperature:

Suitable for use in up to 104°F (40°C)

Housing:

Die-cast aluminum

Tilt Increment:

Rotates in 10 degree increments

Lens:

Polymethyl Methacrylate (PMMA)

Gaskets:

O-ring silicone

Finish:

Formulated for high durability and long-lasting color

Green Technology:

Mercury and UV free. RoHS-compliant components.

Installation

Mounting:

Knuckle arm mount

Sensor Settings

Time Adjustment:

5 seconds to 15 minutes

Quick Test Time:

5 second test time for fast installation. Works day or night.

"No Hands" Auto Testing:

Auto mode starts after 4 minutes of testing. No adjustment needed.

Photoelectric Control:

Deactivates lights during daylight.

Time Delay:

5 seconds to 15 minutes

Ambient Light Sensing:

Adjustable

Adjustments:

Time, ambient light & sensitivity

Detection:

180° detection pattern

Other

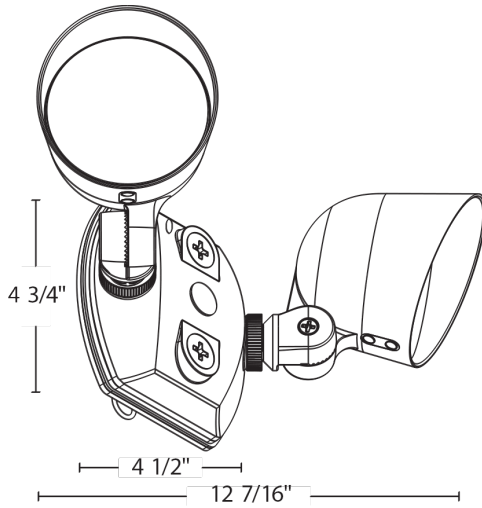
Warranty:

5-year sensor warranty

5-Year Limited Warranty:

The RAB 5-year, limited warranty covers light output, driver performance and paint finish. RAB's warranty is subject to all terms and conditions found at rablighting.com/warranty.

Dimensions



Features

- 50,000-hour LED Life
- 0-10V dimming standard
- IP65 rating protects against dust and water
- 5-Year, limited warranty

Ordering Matrix

Family	Wattage	Mounting	Color Temp	Finish	Driver	Options
LF17X2						/SMS
	Blank = 16/10/8/5/3W	Blank = Knuckle Arm	Blank = 2700/3000/3500/4000/5000K CCT Adjustable	Blank = Bronze B = Black W = White	Blank = 120V, 0-10V Dimming	Blank = No Option /SMS = SMS500 Motion Sensor