



Fits decorator wall plates with only 1/2" protrusion. Gangable. Sensitive 180° view passive infrared motion detector keeps lights on only when rooms are in use covers 1000 sq. ft Works with electronic ballasts. Can be wired in parallel. LED indicator, wallplate included. Can also be used as a ceiling sensor. Must have hot and wires in box.

Color: Almond

Weight: 0.3 lbs

Project:	Type:
Prepared By:	Date:

Technical Specifications

Compliance

UL Listed:

For indoor applications. Tuff Dome & Smart Box are UL Listed for wet locations.

Construction

Easy Installation:

Relay and sensor all in one reduces installation cost. Compatible with program start ballasts. Not compatible with instant start ballasts. LED testing and operation indicator.

Sensor Settings

Maximum Versatility:

Adjustable time delay. Sensor detection pattern can be customized. No minimum load requirement. Can be wired in parallel.

Other

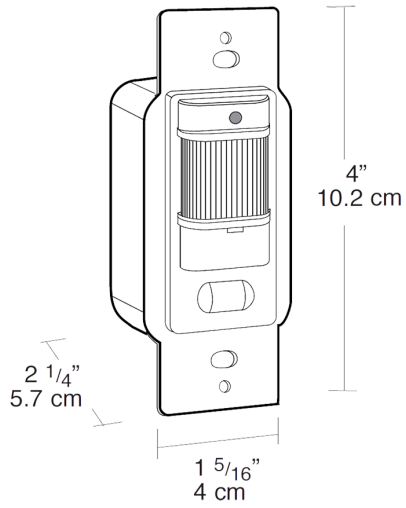
Patents:

RC sensor and fixture designs are protected under Canadian and International Intellectual Property laws

1-Year, No-Compromise Warranty:

RAB warrants that our LED products will be free from defects in materials and workmanship for a period of one (1) year from the date of delivery to the end user, including coverage of light output, color stability, driver performance and fixture finish. RAB's warranty is subject to all terms and conditions found at rablighting.com/warranty.

Dimensions



Features

- Sensitive 180° view passive infrared motion detector keeps lights on only when rooms are in use
- LED detection indicator
- Tough, vandal resistant lens
- Fits decorator wall plates
- Control panel cover only removable with wall plate to prevent tampering
- Manual off/auto switch
- Vandal proof sensor for schools, gyms and high abuse areas