



Color: White

Weight: 2.5 lbs

Project:	Type:
Prepared By:	Date:

Driver Info		LED Info	
Type	Constant Current, Class A	Watts	20/16/12W
120V	0.17A/0.13A/0.10A	Color Temp	2700K/3000K/3500K/4000K/5000K
208V	0.10A/0.08A/0.06A	Color Accuracy	92-95 CRI
240V	0.08A/0.07A/0.05A	L70 Lifespan	N/A
277V	0.08A/0.06A/0.05A	Lumens	1117-1913 lm
Input Watts	11.7-19.9W	Efficacy	85.4-106.2 lm/W

Technical Specifications

Performance

Product Type:

Modular Commercial Downlight

Description:

Modular commercial downlights with field-adjustable wattage, CCT, and optics. Select from various interchangeable modules, trims, and accessories.

Input Wattage:

20/16/12W

Lumens:

1,800/1,500/1,150lm

Efficacy:

90/93.8/95.8

L70 Lifespan:

50,000-Hour LED lifespan based on IES LM-70 results

Electrical

Driver:

Constant Current, Class A, 50/60 Hz, 120V-277V, 120V: 0.35A, 277V: 0.17A

THD:

≤20%

Power Factor:

≥0.9/120V
≥0.7/277V

Dimmable:

Yes, dimmable down to 10% on compatible TRIAC/ELV on 120V and 0-10V on 120-277V dimming systems. See Dimmer Compatibility List.

Controls:

12V Aux for Lightcloud Blue compatibility

Input Voltage:

120-277V

Operating Frequency:

50/60Hz

Input Current @ 120V (mA):

167mA

Input Current @ 208V (mA):

98mA

Input Current @ 240V (mA):

84mA

Input Current @ 277V (mA):

73mA

Operating Temperature:

-4°F to 104°F (-20 to 40°C)

Flicker:

≤30%

Emergency Back up:

Field-installable emergency backup available

LED Characteristics

Beam Angle:

Adjustable 25° to 45° beam angle via rotating lens assembly

Color Temperature:

Field-adjustable via dip switch
2700/3000/3500/4000/5000K

Factory Setting:

4000K

Color Accuracy (CRI):

90 CRI

R9 Value:

High color performance with R9 greater than 50

Color Consistency:

<4-step MacAdam Ellipse binning to achieve consistent fixture-to-fixture color

Technical Specifications (continued)

Color Stability:

LED color temperature is warranted to Shift no more than 200K in color temperature over a 5-year period

Color Uniformity:

RAB's range of Correlated Color Temperature follows the guidelines of the American National Standard for Specifications for the Chromaticity of Solid State Lighting (SSL) Products, ANSI C78.377-2017.

Installation

Set Up:

Step 1: Choose the light engine

Step 2: Choose the trim style

Step 3: (Optional) choose a new construction housing

Step 4: (Optional) choose an EM battery or Lightcloud Blue Controller

Mounting:

Can be used in retrofit, remodel or new construction installations. Can accommodate up to 2" ceiling thickness

Construction

Cut Out Size:

5.0"

Trim Size:

4"

Trim Reflector:

Smooth reflector constructed from anodized aluminum with powder coated paint finish

Trim Finish:

White Flange and White Reflector

Lens:

Curved decorative diffuser

Compliance

Listings:

UL Listed, UL Classified

Environment:

Suitable for use indoors and outdoors in dry, damp, or wet environments.

IC Rated:

No

Air Tight:

Housing certified Air Tight as per ASTM-E283

Energy Star Approved:

This product is ENERGY STAR® Version 1.0 Certified.

Energy Star ID:

3554282

California Title 20 Compliant:

No

California Title 24 JA8 Compliant:

Can be used to conform with the requirements of California Title 24 Part 6.

California Energy Commission (CEC) Status:

Lawful for Sales in California

IESNA LM-79 & LM-80 Testing:

RAB LED luminaires and LED components have been tested by an independent laboratory in accordance with IESNA LM-79 and LM-80.

RoHS:

Mercury and UV free. RoHS-compliant components.

FCC:

Complies with Part 15 of the FCC Rules

Trade Agreements Act Compliant:

This product is a product of Cambodia and a "designated country" end product that complies with the Trade Agreements Act

Other

5-Year, No-Compromise Warranty:

RAB warrants that our LED products will be free from defects in materials and workmanship for a period of five (5) years from the date of delivery to the end user, including coverage of light output, color stability, driver performance and fixture finish. RAB's warranty is subject to all terms and conditions found at rablighting.com/warranty.

Compatible Accessories:

Emergency Drivers

EMB-9

Emergency Driver 100-347V 9W 0-10V

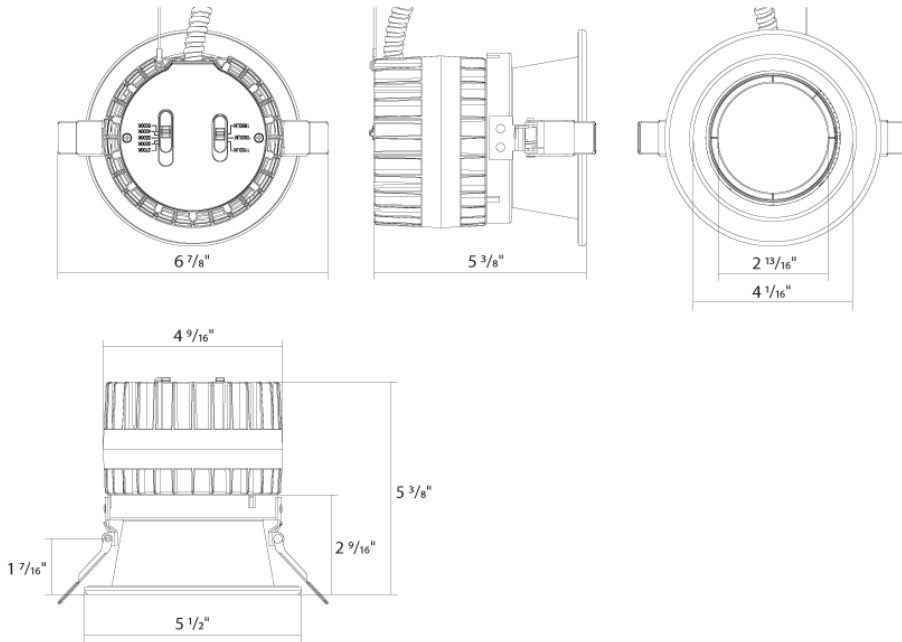
EMB-15

Emergency Driver 100-347V 15W 0-10V

EMB-25

Emergency Driver 100-347V 25W 0-10V

Dimensions



Ordering Matrix

Family	Wattage/Lumens	CRI/Color Temp	Beam Angle	Driver	Factory Installed Trim
ND22	20				4HRW
	12 = 12/9/7W, 1000/750/600lm 20 = 20/16/12W, 1800/1500/1150lm 30 = 30/24/18W, 2800/2400/1900lm 50 = 50/40/30W, 4500/3800/2900lm	Blank = 90 CRI, 2700/3000/3500/4000/5000K CCT Adjustable	Blank = 25° to 45° Adjustable Blank = 30° to 50° Adjustable	Blank = 120-277V; 0-10V & TRIAC Dimming	3RW = 3" Round White 4HRW = 4" Round White 6HRW = 6" Round White 8RW = 8" Round White