



<b>Project:</b>	<b>Type:</b>
<b>Prepared By:</b>	<b>Date:</b>

Driver Info		LED Info	
Type	Constant Current, Class A	Watts	N/A
120V	N/A	Color Temp	N/A
208V	N/A	Color Accuracy	N/A
240V	N/A	L70 Lifespan	50,000 Hours
277V	N/A	Lumens	N/A
Input Watts	N/A	Efficacy	N/A

**Technical Specifications**

**Performance**

**Product Type:**

Trim Reflector

**Description:**

Modular commercial downlights with field-adjustable wattage, CCT, and optics. Select from various interchangeable modules, trims, and accessories.

**Installation**

**Mounting:**

Twist-lock design to attach reflector trim to compatible LED light engine

**Construction**

**Trim Size:**

10"

**Trim Reflector:**

Smooth reflector constructed from anodized aluminum with powder coated paint finish

**Trim Finish:**

White Flange and White Reflector

**Other**

**5-Year, No-Compromise Warranty:**

RAB warrants that our LED products will be free from defects in materials and workmanship for a period of five (5) years from the date of delivery to the end user, including coverage of light output, color stability, driver performance and fixture finish. RAB's warranty is subject to all terms and conditions found at [rablighting.com/warranty](http://rablighting.com/warranty).

**Compatible Products:**

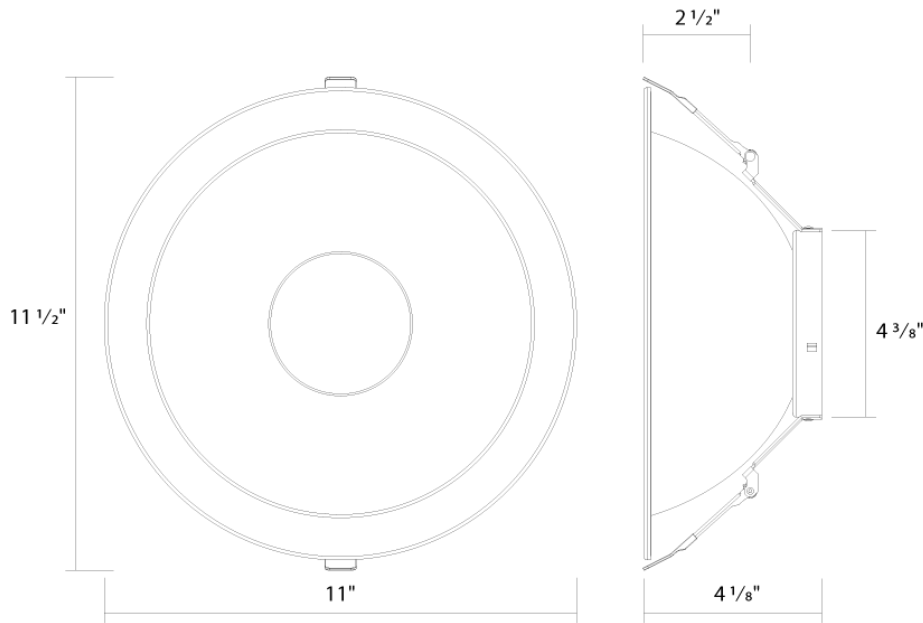
ND22-50  
8" Modular Downlight 50W

**Compliance**

**Trade Agreements Act Compliant:**

This product is a product of Cambodia and a "designated country" end product that complies with the Trade Agreements Act

Dimensions



Ordering Matrix

Family	Aperture/Size	Shape	Reflector Finish	Trim
ND22T	10	R	W	
	3 = 3" 4 = 4" 4H = 4" 6 = 6" 6H = 6" 8 = 8" 10 = 10"	R = Round S = Square <sup>A1</sup>	W = White Reflector + Flange HZ = Haze Reflector + Flange HW = Haze Reflector + White Flange B = Black Reflector + Flange <sup>A2</sup>	Blank = Open Flanged Trim WW = Wall Wash Flanged Trim <sup>A3</sup>

<sup>A1</sup> Square not available in 10".

<sup>A2</sup> Black flange for black reflector only.

<sup>A3</sup> Wall wash available in 3", 4", 6" (12W) and 6" & 8" (20W, 30W, 50W).

ND22-12 fits 3, 4, and 6"; ND22-20 and ND22-30 fit 4H, 6H, and 8" models; ND22-50 fits 6H, 8", and 10" models.