



Project:	Type:
Prepared By:	Date:

Driver Info		LED Info	
Type	N/A	Watts	11W
120V	N/A	Color Temp	2700/3000/3500/4000/5000K
208V	N/A	Color Accuracy	90 CRI
240V	N/A	L70 Lifespan	25,000 Hours
277V	N/A	Lumens	1,000 lm
Input Watts	11W	Efficacy	90

Technical Specifications

Performance

Product Type:

PAR

Description:

Replacements for halogen PAR lamps. Dimmable CCT-adjustable lamps that are wet rated and great for use outdoors.

Wattage Equivalency:

75W

Input Wattage:

11W

Lumens:

1,000lm

Efficacy:

90lm/W

L70 Lifespan:

25,000-Hour LED lifespan based on IES LM-70 results (lamps only)

Electrical

Power Factor:

0.9

Dimmable:

Yes, dimmable down to 10% on compatible TRIAC/ELV dimming systems. See Dimmer Compatibility List.

Input Voltage:

120V

Operating Frequency:

60 Hz

Input Current @ 120V (mA):

105mA

Operating Temperature:

-4°F to 113°F (-20°C to 45°C)

LED Characteristics

Beam Angle:

25°

Color Temperature:

Field adjustable via dip switch
2700/3000/3500/4000/5000K

Color Accuracy (CRI):

90 CRI

R9 Value:

High color performance with R9 no greater than 0

Color Consistency:

<4-step MacAdam Ellipse binning to achieve consistent fixture-to-fixture color

Installation

Base Type:

E26 Edison

Construction

Shape:

PAR30-L

Finish:

White

Endcap Material:

Aluminum

Enclosure Material:

Plastic+Aluminum

Lens Finish:

Frosted

Lens Construction:

Single optic and full face lens for precise beam angle control

Compliance

Listings:

UL1993

Technical Specifications (continued)

Environment:

Suitable for use indoors and outdoors in dry, damp, or wet environments.

Fixture Rating:

Suitable for use in enclosed fixtures.
Suitable for use in open fixtures.

Certification Model Number:

PAR30LFA-11-9CCT-25D-DIM

California Title 20 Compliant:

Can be used to conform with the requirements of California Title 20

California Title 24 JA8 Compliant:

Can be used to conform with the requirements of California Title 24 Part 6.

California Energy Commission (CEC) Status:

Lawful for Sales in California

IESNA LM-79 & LM-80 Testing:

RAB LED luminaires and LED components have been tested by an independent laboratory in accordance with IESNA LM-79 and LM-80.

RoHS:

Mercury and UV free. RoHS-compliant components.

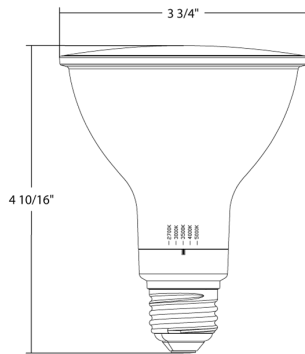
FCC:

Complies with Part 15 of the FCC Rules

Other**3-Year, No-Compromise Warranty:**

RAB warrants that our LED products will be free from defects in materials and workmanship for a period of three (3) years from the date of delivery to the end user, including coverage of light output, color stability, driver performance and fixture finish. RAB's warranty is subject to all terms and conditions found at rablighting.com/warranty.

Dimensions



Features

Adjustable CCT to choose from 2700/3000/3500/4000/5000K

Replacement for incandescent/halogen PAR Lamps

Rated for use in enclosed fixtures in dry, damp, or wet locations

90+CRI provides high quality color rendering. Title 20 and Title 24 Compliant

Dimmable down to 10% on compatible TRIAC/ELV dimming systems.