

Project:

Type:

Prepared By:

Date:



UPC: 019813507460

Features and Benefits

- Replaces 18W/26W/32W G24d & G24q CFL Lamps
- Ballast Bypass. Integral Driver enables lamp to be wired directly to line voltage without need for an external driver or ballast
- Compatible with G24d / GX24d & G24q / GX24q installations
- 50,000 hour Lifespan
- Environmentally friendly, no mercury used
- UL Classified
- Rated for use in enclosed and open fixtures in dry or damp locations
- Non-Dimmable
- 5 Year No Compromise Warranty

Technical Specifications

Performance

Product Type:
Compact

Input Wattage:
9W

Efficacy:
100lm/W

L70 Lifespan:
50,000 Hours

Construction

Shape:
PLC

Finish:
Frosted

For Use Outdoors in Open Fixtures:
No

LED Characteristics

Color Temperature:
2700K So ft White

Color Accuracy (CRI):
82 CRI

Installation

Base Type:
G24d/G24q

Installation Type:
Type B, Ballast Bypass

Installation Orientation:
Horizontal

Electrical

Operating Frequency:
50/60Hz

Input Voltage:
120-277V AC

Compliance

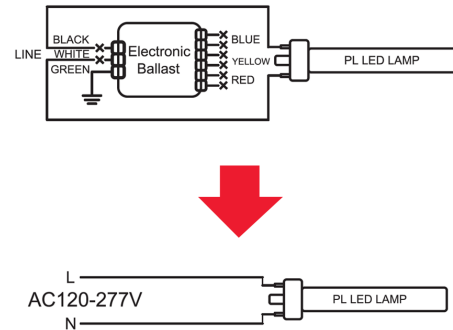
California Energy Commission (CEC) Status:
Lawful for Sales in California

Application:
Suitable for damp locations and totally enclosed fixtures.

Case and Pallet Dimensions

	QTY	LENGTH (in)	WIDTH (in)	HEIGHT (in)
CASE	12	6.5	4.9	7
PALLET	3384	0	0	0

Wiring Diagram



Dimension

