

Project:	Type:	Prepared By:	Date:
-----------------	--------------	---------------------	--------------



Features and Benefits

- Replaces 18W/26W/32W G24d & G24q CFL Lamps
- Ballast Bypass. Integral Driver enables lamp to be wired directly to line voltage without need for an external driver or ballast
- Compatible with G24d / GX24d & G24q / GX24q installations
- 50,000 hour Lifespan
- Environmentally friendly, no mercury used
- UL Classified
- Rated for use in enclosed and open fixtures in dry or damp locations
- Non-Dimmable
- 5 Year No Compromise Warranty

Technical Specifications		
Performance	For Use Outdoors in Open Fixtures:	Operating Temperature:
Product Type: Compact	No	-20°C to 45°C (-4°F to 113°F)
Input Wattage: 9W	LED Characteristics	Dimmable: No
Wattage Equivalency: 26W Fluorescent	Color Temperature: 4000K Cool White	Input Voltage: 120-277V AC
Lumens: 1,000lm	Color Accuracy (CRI): 82 CRI	Operating Frequency: 50/60Hz
Efficacy: 111lm/W	Installation	Other
L70 Lifespan: 50,000 Hours	Base Type: G24d	5-Year, No-Compromise Warranty: RAB warrants that our LED products will be free from defects in materials and workmanship for a period of five (5) years from the date of delivery to the end user, including coverage of light output, color stability, driver performance and fixture finish. RAB's warranty is subject to all terms and conditions found at rablighting.com/warranty .
Construction	Installation Type: Type B, Ballast Bypass	Compliance
Shape: PLC	Installation Orientation: Horizontal	UL Recognized: Yes
Finish: Frosted	Electrical	
	THD: <20%	
	Power Factor: 0.9	

Technical Specifications (continued)

UL Classified:

Yes

California Energy Commission (CEC) Status:

Lawful for Sales in California

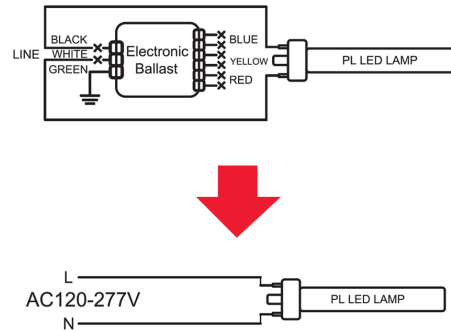
Application:

Suitable for damp locations and totally enclosed fixtures.

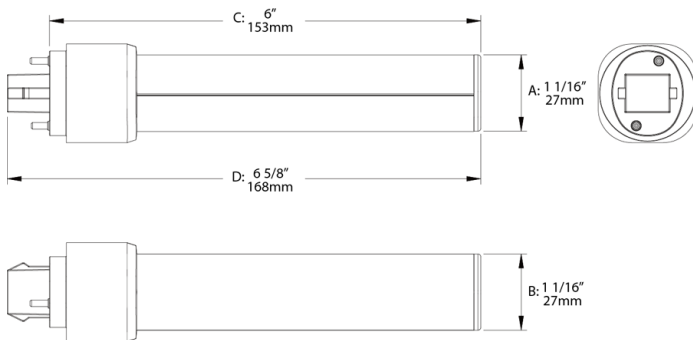
Case and Pallet Dimensions

	QTY	LENGTH (in)	WIDTH (in)	HEIGHT (in)
CASE	12	6.5	4.9	7
PALLET	4032	47.2	39.4	49.6

Wiring Diagram



Dimension



Light Distribution

