

Project:	Type:	Prepared By:	Date:
-----------------	--------------	---------------------	--------------



Features and Benefits

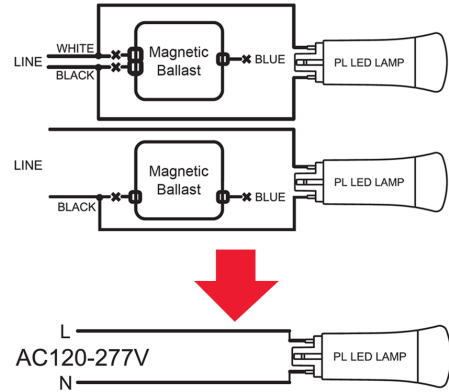
- Replaces 18W/26W/32W G24d & G24q CFL Lamps
- Ballast Bypass. Integral Driver enables lamp to be wired directly to line voltage without need for an external driver or ballast
- Compatible with G24d / GX24d & G24q / GX24q installations
- 50,000 hour Lifespan
- Environmentally friendly, no mercury used
- UL Classified
- Rated for use in enclosed and open fixtures in dry or damp locations
- Non-Dimmable
- 5 Year No Compromise Warranty

Technical Specifications	
Performance	Color Accuracy (CRI):
Product Type: Compact	82 CRI
Input Wattage: 9W	Installation
Efficacy: 100lm/W	Base Type: G24d/G24q
L70 Lifespan: 50,000 Hours	Installation Type: Type B, Ballast Bypass
Construction	Installation Orientation: Vertical
Shape: PLC	Electrical
Finish: Frosted	Operating Frequency: 50/60Hz
For Use Outdoors in Open Fixtures: No	Input Voltage: 120-277V AC
LED Characteristics	Compliance
Color Temperature: 2700K So ft White	California Energy Commission (CEC) Status: Lawful for Sales in California
	Application: Suitable for damp locations and totally enclosed fixtures.

Case and Pallet Dimensions

	QTY	LENGTH (in)	WIDTH (in)	HEIGHT (in)
CASE	12	8.1	6.1	5
PALLET	2880	0	0	0

Wiring Diagram



Dimension

