

<b>Project:</b>	<b>Type:</b>	<b>Prepared By:</b>	<b>Date:</b>
-----------------	--------------	---------------------	--------------



**Features and Benefits**

- Replaces 18W/26W/32W G24d & G24q CFL Lamps
- Ballast Bypass. Integral Driver enables lamp to be wired directly to line voltage without need for an external driver or ballast
- Compatible with G24d / GX24d & G24q / GX24q installations
- 50,000 hour Lifespan
- Environmentally friendly, no mercury used
- UL Classified
- Rated for use in enclosed and open fixtures in dry or damp locations
- Non-Dimmable
- 5 Year No Compromise Warranty

Technical Specifications		
<b>Performance</b>	<b>For Use Outdoors in Open Fixtures:</b>	<b>Operating Temperature:</b>
<b>Product Type:</b> Compact	No	-20°C to 45°C (-4°F to 113°F)
<b>Input Wattage:</b> 9W	<b>LED Characteristics</b>	<b>Dimmable:</b> No
<b>Wattage Equivalency:</b> 26W Fluorescent	<b>Color Temperature:</b> 5000K Daylight	<b>Input Voltage:</b> 120-277V AC
<b>Lumens:</b> 1,000lm	<b>Color Accuracy (CRI):</b> 82 CRI	<b>Operating Frequency:</b> 50/60Hz
<b>Efficacy:</b> 111lm/W	<b>Installation</b>	<b>Other</b>
<b>L70 Lifespan:</b> 50,000 Hours	<b>Base Type:</b> G24d	<b>5-Year, No-Compromise Warranty:</b> RAB warrants that our LED products will be free from defects in materials and workmanship for a period of five (5) years from the date of delivery to the end user, including coverage of light output, color stability, driver performance and fixture finish. RAB's warranty is subject to all terms and conditions found at <a href="http://rablighting.com/warranty">rablighting.com/warranty</a> .
<b>Construction</b>	<b>Installation Type:</b> Type B, Ballast Bypass	<b>Compliance</b>
<b>Shape:</b> PLC	<b>Installation Orientation:</b> Vertical	<b>UL Recognized:</b> Yes
<b>Finish:</b> Frosted	<b>Electrical</b>	
	<b>THD:</b> <20%	
	<b>Power Factor:</b> 0.9	

## Technical Specifications (continued)

**UL Classified:**

Yes

**California Energy Commission (CEC) Status:**

Lawful for Sales in California

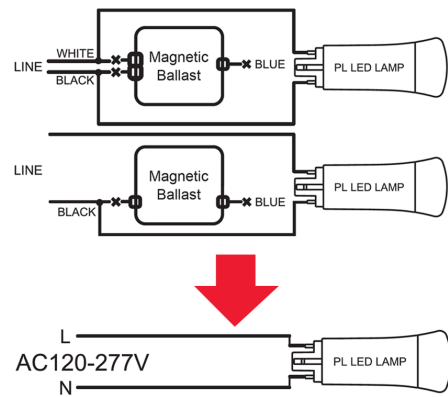
**Application:**

Suitable for damp locations and totally enclosed fixtures.

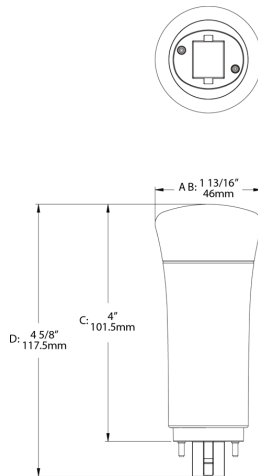
## Case and Pallet Dimensions

	QTY	LENGTH (in)	WIDTH (in)	HEIGHT (in)
CASE	12	8.1	6.1	5
PALLET	3456	47.2	39.4	47.6

## Wiring Diagram



## Dimension



## Light Distribution

