



UPC: 192552007283

Weight: 0.0 lbs

Project:	Type:
Prepared By:	Date:

Technical Specifications

Performance

Product Type:

Compact

Input Wattage:

5.5W

Lumens:

600lm

Efficacy:

109lm/W

L70 Lifespan:

50,000-Hour LED lifespan based on IES LM-70 results

Wattage Equivalency:

11W CFL

Compliance

UL Listed:

Suitable for damp locations

Enclosed Fixtures:

Suitable for use in enclosed fixtures

LED Characteristics

Color Temperature:

3000K

Color Accuracy (CRI):

≥80 CRI

Beam Angle:

120°

Construction

Shape:

PLS-Horizontal

Endcap Material:

Copper

Enclosure Material:

Constructed from frosted, shatter-resistant polycarbonate

Installation

Base Type:

Gx23

Electrical

THD:

20%

Power Factor:

0.9

Flicker:

50%

Operating Temperature:

-20°C to 45°C (-4°F to 113°F)

Input Voltage:

120-277V

Operating Frequency:

50/60Hz

Other

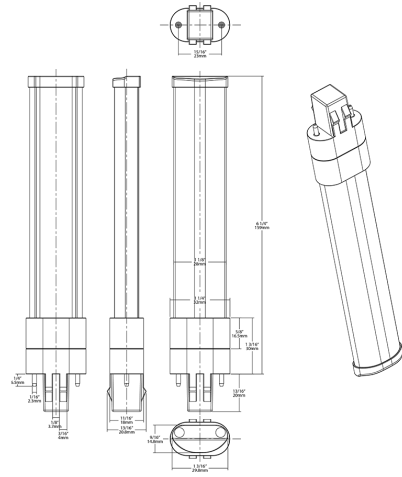
5-Year, No-Compromise Warranty:

RAB warrants that our LED products will be free from defects in materials and workmanship for a period of five (5) years from the date of delivery to the end user, including coverage of light output, color stability, driver performance and fixture finish. RAB's warranty is subject to all terms and conditions found at rablighting.com/warranty.

Case and Pallet Dimensions

	QTY	LENGTH (in)	WIDTH (in)	HEIGHT (in)
CASE	12	7.2	5.4	3
PALLET	0	0	0	0

Dimension



Features

- Replaces 13W CFL Lamps
- Plug and Play on existing magnetic CFL ballasts or can be wired directly to line voltage without need for an external driver or ballast
- Compatible with Gx23 base installations
- 50,000 hour Lifespan
- Environmentally friendly, no mercury used
- UL Classified
- Rated for use in enclosed and open fixtures in dry or damp locations
- 5 Year No Compromise Warranty

Ordering Matrix

Family	Wattage	Orientation	CRI/Color Temp	Installation Type
PLS	5.2	H	830	HYB
	3.5 = 3.5W 5 = 5W 5.2 = 5.2W	H = Horizontal	840 = 80 CRI, 4000K 835 = 80 CRI, 3500K 830 = 80 CRI, 3000K 827 = 80 CRI, 2700K	HYB = Hybrid