



UPC: 192552007290

Weight: 0.0 lbs

Project:	Type:
Prepared By:	Date:

### Technical Specifications

#### Performance

**Product Type:**

Compact

**Input Wattage:**

5.5W

**Lumens:**

600lm

**Efficacy:**

109lm/W

**L70 Lifespan:**

50,000-Hour LED lifespan based on IES LM-70 results

**Wattage Equivalency:**

11W CFL

#### Compliance

**UL Listed:**

Suitable for damp locations

**Enclosed Fixtures:**

Suitable for use in enclosed fixtures

#### LED Characteristics

**Color Temperature:**

3500K

**Color Accuracy (CRI):**

≥80 CRI

**Beam Angle:**

120°

#### Construction

**Shape:**

PLS-Horizontal

**Endcap Material:**

Copper

**Enclosure Material:**

Constructed from frosted, shatter-resistant polycarbonate

#### Installation

**Base Type:**

Gx23

#### Electrical

**THD:**

20%

**Power Factor:**

0.9

**Flicker:**

50%

**Operating Temperature:**

-20°C to 45°C (-4°F to 113°F)

**Input Voltage:**

120-277V

**Operating Frequency:**

50/60Hz

#### Other

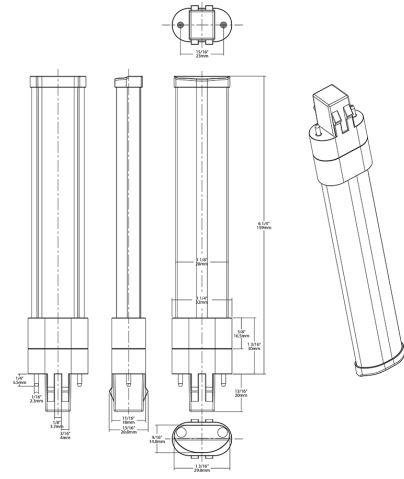
**5-Year, No-Compromise Warranty:**

RAB warrants that our LED products will be free from defects in materials and workmanship for a period of five (5) years from the date of delivery to the end user, including coverage of light output, color stability, driver performance and fixture finish. RAB's warranty is subject to all terms and conditions found at [rablighting.com/warranty](http://rablighting.com/warranty).

**Case and Pallet Dimensions**

	QTY	LENGTH (in)	WIDTH (in)	HEIGHT (in)
CASE	12	7.2	5.4	3
PALLET	0	0	0	0

**Dimension**



**Features**

- Replaces 13W CFL Lamps
- Plug and Play on existing magnetic CFL ballasts or can be wired directly to line voltage without need for an external driver or ballast
- Compatible with Gx23 base installations
- 50,000 hour Lifespan
- Environmentally friendly, no mercury used
- UL Classified
- Rated for use in enclosed and open fixtures in dry or damp locations
- 5 Year No Compromise Warranty

**Ordering Matrix**

Family	Wattage	Orientation	CRI/Color Temp	Installation Type
PLS	5.2	H	835	HYB
	3.5 = 3.5W 5 = 5W 5.2 = 5.2W	H = Horizontal	840 = 80 CRI, 4000K 835 = 80 CRI, 3500K 830 = 80 CRI, 3000K 827 = 80 CRI, 2700K	HYB = Hybrid