

<b>Project:</b>	<b>Type:</b>	<b>Prepared By:</b>	<b>Date:</b>
-----------------	--------------	---------------------	--------------



### Features and Benefits

- Replaces 18W/26W/32W G24d & G24q CFL Lamps
- Ballast Bypass. Integral Driver enables lamp to be wired directly to line voltage without need for an external driver or ballast
- Compatible with G24d / GX24d & G24q / GX24q installations
- 50,000 hour Lifespan
- Environmentally friendly, no mercury used
- UL Classified
- Rated for use in enclosed and open fixtures in dry or damp locations
- Non-Dimmable
- 5 Year No Compromise Warranty

Technical Specifications		
<b>Performance</b>	<b>Beam Angle:</b>	<b>Enclosure Material:</b>
<b>Product Type:</b> Compact	110°	Constructed from frosted, shatter-resistant polycarbonate
<b>Input Wattage:</b> 15.5W	<b>Electrical</b>	<b>Housing Finish:</b> White
<b>Lumens:</b> 1,800lm	<b>THD:</b> 20%	<b>Lens Finish:</b> Frosted
<b>Efficacy:</b> 116lm/W	<b>Power Factor:</b> >0.9	<b>Installation</b>
<b>L70 Lifespan:</b> 50,000-Hour LED lifespan based on IESIm-80 results and TM-21 calculations	<b>Dimmable:</b> Non-Dim	<b>Base Type:</b> 2-Pin G24d
<b>Wattage Equivalency:</b> 42W G24d/G24q/Gx24q	<b>Input Voltage:</b> 120-277V AC	<b>Installation Method:</b> UL Type B, Ballast Bypass
<b>LED Characteristics</b>	<b>Operating Frequency:</b> 50/60Hz	<b>Burning Position:</b> Horizontal
<b>Color Accuracy (CRI):</b> 80	<b>Operating Temperature:</b> -20°C to 45°C (-4°F to 113°F)	<b>Other</b>
<b>Color Temperature:</b> 3000K	<b>Construction</b>	<b>Technology EQ:</b> CFL
	<b>Shape:</b> PLT-Horizontal	

**Technical Specifications (continued)**

**5-Year, No-Compromise Warranty:**

RAB warrants that our LED products will be free from defects in materials and workmanship for a period of five (5) years from the date of delivery to the end user, including coverage of light output, color stability, driver performance and fixture finish. RAB's warranty is subject to all terms and conditions found at [rablighting.com/warranty](http://rablighting.com/warranty).

**Compliance**

**Listings:**

UL Classified, UL Recognized

**Environment:**

Damp / Open

**RoHS:**

Mercury and UV free. RoHS-compliant components.

**FCC:**

Complies with Part 15B of the FCC Rules

**Certification Model Number:**

T10220(PLT-15.5-H-830-BYP)

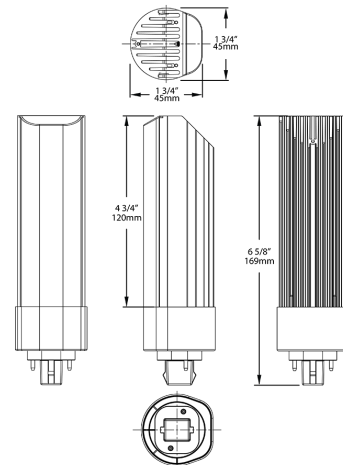
**Minimum Compartment Size**

Length x Width x Height [in]	Lamp Quantity
7	1

**Case and Pallet Dimensions**

	QTY	LENGTH (in)	WIDTH (in)	HEIGHT (in)
CASE	12	0	0	0
PALLET	440	0	0	0

**Dimension**



Light Distribution

