

Project:	Type:	Prepared By:	Date:
-----------------	--------------	---------------------	--------------



Features and Benefits

- Replaces 18W/26W/32W G24d & G24q CFL Lamps
- Ballast Bypass. Integral Driver enables lamp to be wired directly to line voltage without need for an external driver or ballast
- Compatible with G24d / GX24d & G24q / GX24q installations
- 50,000 hour Lifespan
- Environmentally friendly, no mercury used
- UL Classified
- Rated for use in enclosed and open fixtures in dry or damp locations
- Non-Dimmable
- 5 Year No Compromise Warranty

Technical Specifications		
Performance	Beam Angle:	Enclosure Material:
Product Type: Compact	110°	Constructed from frosted, shatter-resistant polycarbonate
Input Wattage: 15.5W	Electrical	Housing Finish: White
Lumens: 1,900lm	THD: 20%	Lens Finish: Frosted
Efficacy: 123lm/W	Power Factor: >0.9	Installation
L70 Lifespan: 50,000-Hour LED lifespan based on IESIm-80 results and TM-21 calculations	Dimmable: Non-Dim	Base Type: 2-Pin G24d
Wattage Equivalency: 42W G24d/G24q/Gx24q	Input Voltage: 120-277V AC	Installation Method: UL Type B, Ballast Bypass
LED Characteristics	Operating Frequency: 50/60Hz	Burning Position: Horizontal
Color Accuracy (CRI): 80	Operating Temperature: -20°C to 45°C (-4°F to 113°F)	Other
Color Temperature: 3500K	Construction	Technology EQ: CFL
	Shape: PLT-Horizontal	

Technical Specifications (continued)

5-Year, No-Compromise Warranty:

RAB warrants that our LED products will be free from defects in materials and workmanship for a period of five (5) years from the date of delivery to the end user, including coverage of light output, color stability, driver performance and fixture finish. RAB's warranty is subject to all terms and conditions found at rablighting.com/warranty.

Compliance

Listings:

UL Classified, UL Recognized

Environment:

Damp / Open

RoHS:

Mercury and UV free. RoHS-compliant components.

FCC:

Complies with Part 15B of the FCC Rules

Certification Model Number:

T10221(PLT-15.5-H-835-BYP)

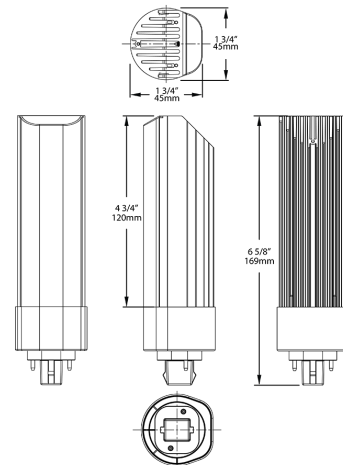
Minimum Compartment Size

Length x Width x Height [in]	Lamp Quantity
7	1

Case and Pallet Dimensions

	QTY	LENGTH (in)	WIDTH (in)	HEIGHT (in)
CASE	12	0	0	0
PALLET	440	0	0	0

Dimension



Light Distribution

