



<b>Project:</b>	<b>Type:</b>
<b>Prepared By:</b>	<b>Date:</b>

Driver Info		LED Info	
Type	Constant Current	Watts	110/95/80W
120V	0.96A/0.80A/0.67A	Color Temp	3500/4000/5000K
208V	0.56A/0.46A/0.38A	Color Accuracy	80-82 CRI
240V	0.48A/0.40A/0.34A	L70 Lifespan	100,000 Hours
277V	0.42A/0.35A/0.29A	Lumens	10,249-14,125 lm
Input Watts	74.7-106.1W	Efficacy	126.2-143.3 lm/W

**Technical Specifications**

**Field Adjustability**

**Field Adjustable:**

Field Adjustable Light Output:  
110W/95W/80W (factory default 80W)  
Color Temperature Selectable:  
3500K, 4000K and 5000K (factory default 4000K)  
On/Off Photocell (factory default "Off")

**Compliance**

**UL Listed:**

Suitable for wet locations

**IP Rating:**

Ingress protection rating of IP65 for dust and water

**IESNA LM-79 & LM-80 Testing:**

RAB LED luminaires and LED components have been tested by an independent laboratory in accordance with IESNA LM-79 and LM-80.

**DLC Listed:**

This product family is listed with the DesignLights Consortium (DLC). Individual SKUs within this family may carry either a DLC Standard or DLC Premium qualification. Please refer to the individual product specification sheet or the DLC Qualified Products List (QPL) at [designlights.org](http://designlights.org) to confirm the qualification status of a specific SKU prior to specification or purchase.

**Performance**

**Lifespan:**

100,000-Hour LED lifespan based on IESIm-80 results and TM-21 calculations

**Driver:**

110W: Constant Current, Class 1, 50/60 Hz, 120V-277V, 120V: 0.96A, 208V: 0.56A; 240V: 0.48A, 277V: 0.42A  
95W: Constant Current, Class 1, 50/60 Hz, 120V-277V, 120V: 0.80A, 208V: 0.46A; 240V: 0.40A, 277V: 0.35A  
80W: Constant Current, Class 1, 50/60 Hz, 120V-277V, 120V: 0.67A, 208V: 0.38A; 240V: 0.34A, 277V: 0.29A

**LED Characteristics**

**LEDs:**

Long-life, high-efficacy, surface-mount LEDs

**Color Consistency:**

7-step MacAdam Ellipse binning to achieve consistent fixture-to-fixture color

**Color Uniformity:**

RAB's range of Correlated Color Temperature follows the guidelines of the American National Standard for Specifications for the Chromaticity of Solid State Lighting (SSL) Products, ANSI C78.377-2017.

**Electrical**

**Dimming Driver:**

Driver includes dimming control wiring for 0-10V dimming systems. Requires separate 0-10V DC dimming circuit. Dims down to 10%.

**THD:**

110W: 4.77% at 120V, 8.67% at 277V  
95W: 5.84% at 120V, 10.54% at 277V  
80W: 6.8% at 120V, 11.32% at 277V

**Power Factor:**

110W: 99.8% at 120V, 96.5% at 277V  
95W: 99.7% at 120V, 95.2% at 277V  
80W: 99.5% at 120V, 93.7% at 277V

**Surge Protection:**

Ring Wave LN4 kV/LN-GND 6 kV

**Aux Power Supply:**

Yes

**Dim to Off:**

Yes

**Photocell:**

Integrated photocell included with on/off switch (factory default: off)

## Technical Specifications (continued)

### Construction

---

**Cold Weather Starting:**

The minimum starting temperature is -40°F (-40°C)

**Maximum Ambient Temperature:**

Suitable for use in up to 104°F (40°C)

**Gaskets:**

High-temperature silicone

**Housing:**

Die-cast aluminum

**Lens:**

Polycarbonate lens

**Reflector:**

Polycarbonate

**Green Technology:**

Mercury and UV free. RoHS-compliant components.

**Finish:**

Formulated for high durability and long-lasting color

### Installation

---

**Mounting:**

Surface and pendant mounting

### Optical

---

**BUG Rating:**

110W: B4 U5 G5

95W: B4 U4 G5

80W: B3 U4 G5

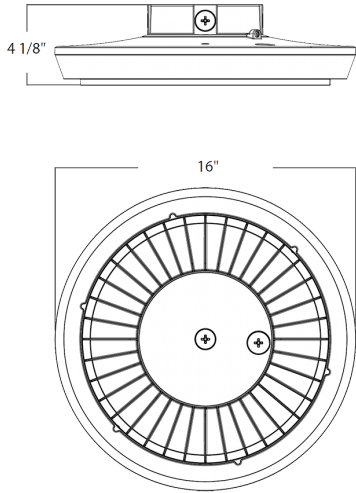
### Other

---

**5-Year Limited Warranty:**

The RAB 5-year, limited warranty covers light output, driver performance and paint finish. RAB's warranty is subject to all terms and conditions found at [rablighting.com/warranty](http://rablighting.com/warranty).

Dimensions



Features

- IP65 rated
- 100,000-Hour LED lifespan
- 5-Year Limited Warranty

Ordering Matrix

Family	Wattage	Color Temp	Shape	Finish	Driver	Controls	Battery Backup
PRT	110		R	W			
	55 = 55/42/30W 80 = 80/70/60W 110 = 110/95/80W	Blank = 3500/4000/5000K Adjustable CCT	R = Round S = Square	Blank = Bronze W = White	Blank = 120-277V, 0-10V Dimming, On/Off Photocell /480 = 480V, 0-10V Dimming, On/Off Photocell	Blank = On/Off Photocell <sup>1</sup> /LC = Lightcloud /LCB = Lightcloud Blue <sup>2</sup>	Blank = None /E = Battery Backup <sup>3</sup>

<sup>1</sup> Integrated photocell can't be used when ordered with LC or LCB options

<sup>2</sup> Should not be combined with integrated fixture sensors

<sup>3</sup> Battery backup only available on 120-277V models