



Project:	Type:
Prepared By:	Date:

Driver Info		LED Info	
Type	Constant Current	Watts	55/42/30W
120V	0.50A/0.35A/0.25A	Color Temp	3500/4000/5000K
208V	0.29A/0.21A/0.15A	Color Accuracy	79-81 CRI
240V	0.25A/0.18A/0.13A	L70 Lifespan	100,000 Hours
277V	0.22A/0.15A/0.11A	Lumens	4,233-7,510 lm
Input Watts	29.7-53.7W	Efficacy	133-147.3 lm/W

Technical Specifications

Field Adjustability

Field Adjustable:

Field Adjustable Light Output:
55W/42W/30W (factory default 55W)
Color Temperature Selectable:
3500K, 4000K and 5000K (factory default 4000K)
On/Off Photocell (factory default "Off")

Compliance

UL Listed:

Suitable for wet locations

IP Rating:

Ingress protection rating of IP65 for dust and water

IESNA LM-79 & LM-80 Testing:

RAB LED luminaires and LED components have been tested by an independent laboratory in accordance with IESNA LM-79 and LM-80.

DLC Listed:

This product family is listed with the DesignLights Consortium (DLC). Individual SKUs within this family may carry either a DLC Standard or DLC Premium qualification. Please refer to the individual product specification sheet or the DLC Qualified Products List (QPL) at designlights.org to confirm the qualification status of a specific SKU prior to specification or purchase.

Performance

Lifespan:

100,000-Hour LED lifespan based on IESIm-80 results and TM-21 calculations

Driver:

55W: Constant Current, Class 1, 50/60 Hz, 120V-277V, 120V: 0.50A, 208V: 0.29A; 240V: 0.25A, 277V: 0.22A
42W: Constant Current, Class 1, 50/60 Hz, 120V-277V, 120V: 0.35A, 208V: 0.21A; 240V: 0.18A, 277V: 0.15A
30W: Constant Current, Class 1, 50/60 Hz, 120V-277V, 120V: 0.25A, 208V: 0.15A; 240V: 0.13A, 277V: 0.11A

LED Characteristics

LEDs:

Long-life, high-efficacy, surface-mount LEDs

Color Consistency:

7-step MacAdam Ellipse binning to achieve consistent fixture-to-fixture color

Color Uniformity:

RAB's range of Correlated Color Temperature follows the guidelines of the American National Standard for Specifications for the Chromaticity of Solid State Lighting (SSL) Products, ANSI C78.377-2017.

Electrical

Dimming Driver:

Driver includes dimming control wiring for 0-10V dimming systems. Requires separate 0-10V DC dimming circuit. Dims down to 10%.

THD:

55W: 4.26% at 120V, 11.58% at 277V
42W: 5.79% at 120V, 13.35% at 277V
30W: 8.75% at 120V, 13.51% at 277V

Power Factor:

55W: 99.6% at 120V, 93.5% at 277V
42W: 99.4% at 120V, 89.9% at 277V
30W: 98.9% at 120V, 83.6% at 277V

Surge Protection:

Ring Wave LN4 kV/LN-GND 6 kV

Aux Power Supply:

Yes

Dim to Off:

Yes

Photocell:

Integrated photocell included with on/off switch (factory default: off)

Technical Specifications (continued)

Construction

Cold Weather Starting:

The minimum starting temperature is -40°F (-40°C)

Maximum Ambient Temperature:

Suitable for use in up to 104°F (40°C)

Gaskets:

High-temperature silicone

Housing:

Die-cast aluminum

Lens:

Polycarbonate lens

Reflector:

Polycarbonate

Green Technology:

Mercury and UV free. RoHS-compliant components.

Finish:

Formulated for high durability and long-lasting color

Installation

Mounting:

Surface and pendant mounting

Optical

BUG Rating:

55W: B3 U4 G4

42W B3 U4 G4

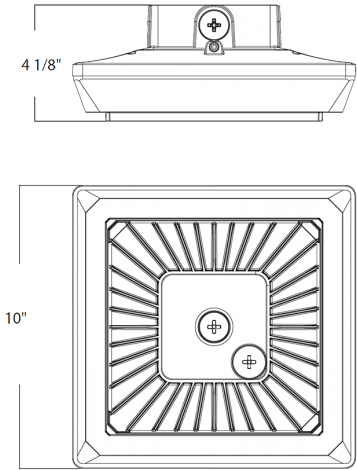
30W: B2 U4 G3

Other

5-Year Limited Warranty:

The RAB 5-year, limited warranty covers light output, driver performance and paint finish. RAB's warranty is subject to all terms and conditions found at rablighting.com/warranty.

Dimensions



Features

- IP65 rated
- 100,000-Hour LED lifespan
- 5-Year Limited Warranty

Ordering Matrix

Family	Wattage	Color Temp	Shape	Finish	Driver	Controls	Battery Backup
PRT	55		S	W			
	55 = 55/42/30W 80 = 80/70/60W 110 = 110/95/80W	Blank = 3500/4000/5000K Adjustable CCT	R = Round S = Square	Blank = Bronze W = White	Blank = 120-277V, 0-10V Dimming, On/Off Photocell /480 = 480V, 0-10V Dimming, On/Off Photocell	Blank = On/Off Photocell ¹ /LC = Lightcloud /LCB = Lightcloud Blue ²	Blank = None /E = Battery Backup ³

¹ Integrated photocell can't be used when ordered with LC or LCB options

² Should not be combined with integrated fixture sensors

³ Battery backup only available on 120-277V models