



Color: Bronze

Weight: 6.9 lbs

Project:

Type:

Prepared By:

Date:

**Driver Info**

**LED Info**

Type	Constant Current	Watts	80/70/60W
120V	N/A	Color Temp	3500/4000/5000K
208V	N/A	Color Accuracy	79-81 CRI
240V	N/A	L70 Lifespan	100,000 Hours
277V	N/A	Lumens	8,435-11,646 lm
Input Watts	60.8-82.6W	Efficacy	133.2-145.9 lm/W

**Technical Specifications**

**Field Adjustability**

**Field Adjustable:**

Field Adjustable Light Output:  
80W/70W/60W (factory default 80W)  
Color Temperature Selectable:  
3500K, 4000K and 5000K (factory default 4000K)  
On/Off Photocell (factory default "Off")

**Compliance**

**UL Listed:**

Suitable for wet locations

**IP Rating:**

Ingress protection rating of IP65 for dust and water

**IESNA LM-79 & LM-80 Testing:**

RAB LED luminaires and LED components have been tested by an independent laboratory in accordance with IESNA LM-79 and LM-80.

**DLC Listed:**

This product family is listed with the DesignLights Consortium (DLC). Individual SKUs within this family may carry either a DLC Standard or DLC Premium qualification. Please refer to the individual product specification sheet or the DLC Qualified Products List (QPL) at [designlights.org](http://designlights.org) to confirm the qualification status of a specific SKU prior to specification or purchase.

**Performance**

**Lifespan:**

100,000-Hour LED lifespan based on IESIm-80 results and TM-21 calculations

**Driver:**

80W: Constant Current, Class 1, 50/60 Hz, 480V, 480V: 0.20A  
70W: Constant Current, Class 1, 50/60 Hz, 480V, 480V: 0.15A  
60W: Constant Current, Class 1, 50/60 Hz, 480V, 480V: 0.13A

**LED Characteristics**

**LEDs:**

Long-life, high-efficacy, surface-mount LEDs

**Color Consistency:**

7-step MacAdam Ellipse binning to achieve consistent fixture-to-fixture color

**Color Uniformity:**

RAB's range of Correlated Color Temperature follows the guidelines of the American National Standard for Specifications for the Chromaticity of Solid State Lighting (SSL) Products, ANSI C78.377-2017.

**Electrical**

**Dimming Driver:**

Driver includes dimming control wiring for 0-10V dimming systems. Requires separate 0-10V DC dimming circuit. Dims down to 10%.

**THD:**

80W: 12.05% at 480V  
70W: 13.43% at 480V  
60W: 15.15% at 480V

**Power Factor:**

80W: 95.4% at 480V  
70W: 94.2% at 480V  
60W: 92.6% at 480V

**Surge Protection:**

Ring Wave LN4 kV/LN-GND 6 kV

**Aux Power Supply:**

Yes

**Dim to Off:**

Yes

**Photocell:**

Integrated photocell included with on/off switch (factory default: off)

## Technical Specifications (continued)

### Construction

---

**Cold Weather Starting:**

The minimum starting temperature is -40°F (-40°C)

**Maximum Ambient Temperature:**

Suitable for use in up to 104°F (40°C)

**Gaskets:**

High-temperature silicone

**Housing:**

Die-cast aluminum

**Lens:**

Polycarbonate lens

**Reflector:**

Polycarbonate

**Green Technology:**

Mercury and UV free. RoHS-compliant components.

**Finish:**

Formulated for high durability and long-lasting color

### Installation

---

**Mounting:**

Surface and pendant mounting

### Optical

---

**BUG Rating:**

80W: B3 U5 G5

70W: B3 U5 G5

60W: B3 U4 G5

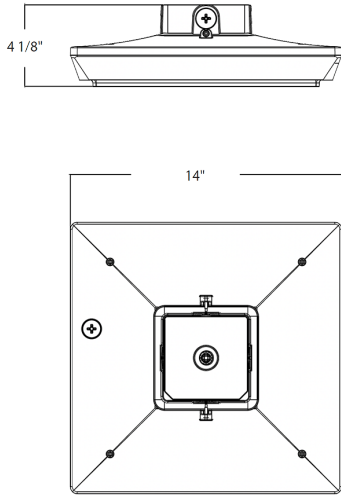
### Other

---

**5-Year Limited Warranty:**

The RAB 5-year, limited warranty covers light output, driver performance and paint finish. RAB's warranty is subject to all terms and conditions found at [rablighting.com/warranty](http://rablighting.com/warranty).

Dimensions



Features

- IP65 rated
- 100,000-Hour LED lifespan
- 5-Year Limited Warranty

Ordering Matrix

Family	Wattage	Color Temp	Shape	Finish	Driver	Controls	Battery Backup
PRT	80		S		/480		
	55 = 55/42/30W 80 = 80/70/60W 110 = 110/95/80W	Blank = 3500/4000/5000K Adjustable CCT	R = Round S = Square	Blank = Bronze W = White	Blank = 120-277V, 0-10V Dimming, On/Off Photocell /480 = 480V, 0-10V Dimming, On/Off Photocell	Blank = On/Off Photocell <sup>1</sup> /LC = Lightcloud /LCB = Lightcloud Blue <sup>2</sup>	Blank = None /E = Battery Backup <sup>3</sup>

<sup>1</sup> Integrated photocell can't be used when ordered with LC or LCB options

<sup>2</sup> Should not be combined with integrated fixture sensors

<sup>3</sup> Battery backup only available on 120-277V models