



Project:	Type:
Prepared By:	Date:

Driver Info		LED Info	
Type	Constant Current	Watts	260/220/160W
120V	N/A	Color Temp	3500/4000/5000K
208V	N/A	Color Accuracy	82-84 CRI
240V	N/A	L70 Lifespan	100,000 Hours
277V	N/A	Lumens	24,828-41,366 lm
Input Watts	152.1-261W	Efficacy	143.6-171.5 lm/W

Technical Specifications

Field Adjustability

Field Adjustable:

Field Adjustable Light Output:
 260W/220W/160W (factory default 260W)
 Color temperature selectable by 3500K, 4000K and 5000K (factory default 4000K)

Optical Field Adjustability:

Adjustable from standard to aisle lighting optics with a simple rotation of the lens. Choose between 90x90° or 45x110° to get the distribution.

Compliance

UL Listed:

Suitable for damp locations

IESNA LM-79 & LM-80 Testing:

RAB LED luminaires and LED components have been tested by an independent laboratory in accordance with IESNA LM-79 and LM-80.

IP Rating:

IP20

DLC Listed:

This product family is listed with the DesignLights Consortium (DLC). Individual SKUs within this family may carry either a DLC Standard or DLC Premium qualification. Please refer to the individual product specification sheet or the DLC Qualified Products List (QPL) at designlights.org to confirm the qualification status of a specific SKU prior to specification or purchase.

LED Characteristics

LEDs:

Long-life, high-efficacy, discrete, surface-mount LEDs

Color Uniformity:

RAB's range of Correlated Color Temperature follows the guidelines of the American National Standard for Specifications for the Chromaticity of Solid State Lighting (SSL) Products, ANSI C78.377-2017.

Performance

Lifespan:

100,000-Hour LED lifespan based on IESIm-80 results and TM-21 calculations

Electrical

Driver:

Constant Current, Class 1, 480V, 50/60 Hz:
 260W: 480V: 0.60A
 220W: 480V: 0.50A
 160W: 480V: 0.40A

Dimming Driver:

Driver includes dimming control wiring for 0-10V dimming systems. Requires separate 0-10V DC dimming circuit. Dims down to 10%.

Aux Power Supply:

Yes

Dim to Off:

Yes

Surge Protection:

L/N-PE: 6 kV, L-N: 6 kV

Construction

Cold Weather Starting:

The minimum starting temperature is -40°F (-40°C)

Maximum Ambient Temperature:

Suitable for use in up to 122°F (50°C)

Lens:

Polycarbonate lens

Technical Specifications (continued)

Reflector:

Polycarbonate

IK Rating:

IK08 Protected against 5 joules of impact. Equivalent to the impact of a 3.75 lbs. (1.7kg) mass dropped from 11.8" (300mm) above the impacted surface.

Housing:

Die-cast aluminum

Gaskets:

High-temperature silicone

Finish:

Formulated for high durability and long-lasting color

Green Technology:

Mercury and UV free. RoHS-compliant components.

Installation

Mounting:

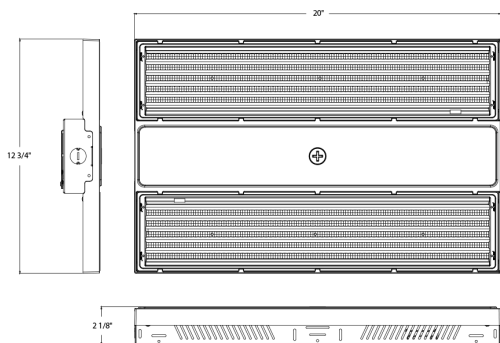
Comes standard with V-hooks for chain mounting. Accessories available for pendant and surface mounting (purchased separately).

Other

5-Year Limited Warranty:

The RAB 5-year, limited warranty covers light output, driver performance and paint finish. RAB's warranty is subject to all terms and conditions found at rablighting.com/warranty.

Dimensions



Features

- 100,000-Hour LED lifespan
- DLC Premium Listed
- 0-10V dimming, standard
- 5-Year, limited warranty

Ordering Matrix

Family	Wattage	Color Temp	Mounting	Finish	Driver	Battery Backup
RBAY15	M S = 130/100/80W M = 260/220/160W L = 400/320/260W	Blank = 3500/4000/5000K CCT Adjustable	Blank = V-Hook/Chain	Blank = White	/480 Blank = 120-277V, 0-10V Dimming /480 = 480V, 0-10V Dimming	Blank = None /E = Battery Backup