



<b>Project:</b>	<b>Type:</b>
<b>Prepared By:</b>	<b>Date:</b>

Driver Info		LED Info	
Type	Constant Current	Watts	30/25/18W
120V	0.25A/0.21A/0.16A	Color Temp	3500/4000/5000K
208V	0.15A/0.12A/0.09A	Color Accuracy	83-85 CRI
240V	0.13A/0.11A/0.08A	L70 Lifespan	100,000 Hours
277V	0.11A/0.10A/0.07A	Lumens	2,505-3,862 lm
Input Watts	18.4-29.1W	Efficacy	127-140.6 lm/W

**Technical Specifications**

**Field Adjustability**

**Field Adjustable:**

Field Adjustable Light Output:  
30/25/18W (factory default 30W)  
Color temperature selectable 3500K, 4000K and 5000K (factory default 4000K)

**Compliance**

**UL Listed:**

Suitable for damp locations

**IESNA LM-79 & LM-80 Testing:**

RAB LED luminaires and LED components have been tested by an independent laboratory in accordance with IESNA LM-79 and LM-80.

**Trade Agreements Act Compliant:**

This product is a product of Cambodia and a "designated country" end product that complies with the Trade Agreements Act

**DLC Listed:**

This product family is listed with the DesignLights Consortium (DLC). Individual SKUs within this family may carry either a DLC Standard or DLC Premium qualification. Please refer to the individual product specification sheet or the DLC Qualified Products List (QPL) at [designlights.org](http://designlights.org) to confirm the qualification status of a specific SKU prior to specification or purchase.

**Electrical**

**Driver:**

30W: Class 2, Constant Current, 120-277V, 50/60 Hz, 120V: 0.25A, 208V: 0.15A, 240V: 0.13A, 277V: 0.11A  
25W: Class 2, Constant Current, 120-277V, 50/60 Hz, 120V: 0.21A, 208V: 0.12A, 240V: 0.11A, 277V: 0.10A  
18W: Class 2, Constant Current, 120-277V, 50/60 Hz, 120V: 0.16A, 208V: 0.09A, 240V: 0.08A, 277V: 0.07A

**Dimming Driver:**

Driver includes dimming control wiring for 0-10V dimming systems. Requires separate 0-10V DC dimming circuit. Dims down to 10%.

**THD:**

10.41% at 120V, 9.15% at 277V

**Power Factor:**

99.5% at 120V, 98.1% at 277V

**Aux Power Supply:**

Yes

**Dim to Off:**

Yes

**Battery Backup:**

Battery backup will operate the fixture for 90 minutes if power fails. Wired for 120-277V.

**Battery Backup Light Loss Factor:**

13%

**Surge Protection:**

2 kV

**Construction**

**Housing:**

Galvanized sheet housing and aluminum frame

**Cold Weather Starting:**

Minimum starting temperature is 5°C (41°F)

**Maximum Ambient Temperature:**

Suitable for use in up to 122°F (50°C)

**Lens:**

Frosted polystyrene

**Finish:**

Formulated for high durability and long-lasting color

**Green Technology:**

Mercury and UV free. RoHS-compliant components.

**LED Characteristics**

**LEDs:**

Long-life, high-efficacy, surface-mount LEDs

**Technical Specifications (continued)**

**Color Uniformity:**

RAB's range of Correlated Color Temperature follows the guidelines of the American National Standard for Specifications for the Chromaticity of Solid State Lighting (SSL) Products, ANSI C78.377-2017.

**Installation**

**Mounting:**

Mounting bracket: Two brackets and two decorative bars (Optional). Two steel clips provided, secured to the housing for securement of the mounting bracket.

**Performance**

**Lifespan:**

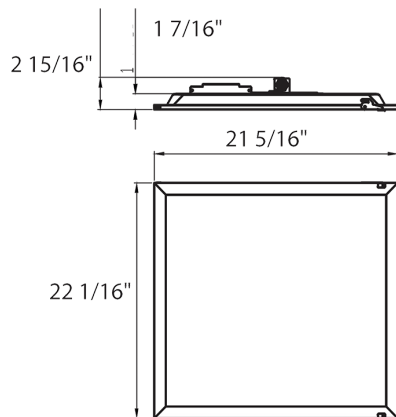
100,000-Hour LED lifespan based on IESlm-80 results and TM-21 calculations

**Other**

**5-Year Limited Warranty:**

The RAB 5-year, limited warranty covers light output, driver performance and paint finish. RAB's warranty is subject to all terms and conditions found at [rablighting.com/warranty](http://rablighting.com/warranty).

**Dimensions**



**Features**

- 0-10V Dimming, standard
- 100,000-hour LED lifespan
- 5-Year, limited warranty

Ordering Matrix

Family	Size (Wattage)	Color Temp	Finish	Driver	Options
RPLED	2X2				/E
	2X2 = 2' x 2' (30/25/18W) 1X4 = 1' x 4' (30/25/18W) 2X4 = 2' x 4' (35/30/25W)	Blank = 3500/4000/5000K CCT Adjustable	Blank = White	Blank = 120-277V, 0-10V Dimming	Blank = No Option /E = Battery Backup /MVS = Microwave Occupancy Sensor /LCB = Lightcloud Blue-enabled /LCBS/MVS = Lightcloud Blue w/MVS Sensor /MVS/E = Microwave Occupancy Sensor w/Battery Backup /LCB/E = Lightcloud Blue w/Battery Backup /LCBS/MVS/E = Lightcloud Blue w/MVS Sensor and Battery Backup