



Project:	Type:
Prepared By:	Date:

Driver Info		LED Info	
Type	Constant Current	Watts	30/25/18W
120V	0.25A/0.21A/0.16A	Color Temp	3500/4000/5000K
208V	0.15A/0.12A/0.09A	Color Accuracy	83-85 CRI
240V	0.13A/0.11A/0.08A	L70 Lifespan	100,000 Hours
277V	0.11A/0.10A/0.07A	Lumens	2,505-3,862 lm
Input Watts	18.4-29.1W	Efficacy	127-140.6 lm/W

Technical Specifications

Field Adjustability

Field Adjustable:

Field Adjustable Light Output:
30/25/18W (factory default 30W)
Color temperature selectable 3500K, 4000K and 5000K (factory default 4000K)

Compliance

UL Listed:

Suitable for damp locations

IESNA LM-79 & LM-80 Testing:

RAB LED luminaires and LED components have been tested by an independent laboratory in accordance with IESNA LM-79 and LM-80.

Trade Agreements Act Compliant:

This product is a product of Cambodia and a "designated country" end product that complies with the Trade Agreements Act

DLC Listed:

This product family is listed with the DesignLights Consortium (DLC). Individual SKUs within this family may carry either a DLC Standard or DLC Premium qualification. Please refer to the individual product specification sheet or the DLC Qualified Products List (QPL) at designlights.org to confirm the qualification status of a specific SKU prior to specification or purchase.

Electrical

Driver:

30W: Class 2, Constant Current, 120-277V, 50/60 Hz,
120V: 0.25A, 208V: 0.15A, 240V: 0.13A, 277V: 0.11A
25W: Class 2, Constant Current, 120-277V, 50/60 Hz,
120V: 0.21A, 208V: 0.12A, 240V: 0.11A, 277V: 0.10A
18W: Class 2, Constant Current, 120-277V, 50/60 Hz,
120V: 0.16A, 208V: 0.09A, 240V: 0.08A, 277V: 0.07A

Dimming Driver:

Driver includes dimming control wiring for 0-10V dimming systems. Requires separate 0-10V DC dimming circuit. Dims down to 10%.

THD:

10.41% at 120V, 9.15% at 277V

Power Factor:

99.5% at 120V, 98.1% at 277V

Aux Power Supply:

Yes

Dim to Off:

Yes

Surge Protection:

2 kV

Construction

Housing:

Galvanized sheet housing and aluminum frame

Cold Weather Starting:

The minimum starting temperature is -4°F (-20°C)

Maximum Ambient Temperature:

Suitable for use in up to 104°F (40°C)

Lens:

Frosted polystyrene

Finish:

Formulated for high durability and long-lasting color

Green Technology:

Mercury and UV free. RoHS-compliant components.

LED Characteristics

LEDs:

Long-life, high-efficacy, surface-mount LEDs

Color Uniformity:

RAB's range of Correlated Color Temperature follows the guidelines of the American National Standard for Specifications for the Chromaticity of Solid State Lighting (SSL) Products, ANSI C78.377-2017.

Technical Specifications (continued)

Installation

Mounting:

Mounting bracket: Two brackets and two decorative bars (Optional). Two steel clips provided, secured to the housing for securement of the mounting bracket.

Performance

Lifespan:

100,000-Hour LED lifespan based on IESIm-80 results and TM-21 calculations

Sensor Settings

Default Setting:

Brightness: 100%
 Hold Time: 20 Minutes
 Daylight: Disabled
 Sensitivity: 100%
 Stand-by Dimming Level: 20%

Operating Voltage:

12V DC

Operating Current:

≤25mA

Output:

Dim/0-10V

Microwave Frequency:

5.8GHz±75MHz

Microwave Power:

<0.3mW

Stand-by Power:

≤0.5W

Detection Area:

25%/50%/75%/100%

Hold Time:

5s/30s/1min/3min/5min/10min/20min/30min

Daylight Threshold:

2Lux/10Lux/30Lux/50Lux/80Lux/120Lux/Disable

Stand-by Period:

0s/10s/30s/1min/5min/10min/30min/+∞

Stand-by Dimming Level:

10%/20%/30%/50%

Operating Temperature:

-20°C~+60°C

Maximum Mounting Height:

13 ft

Max Detection Range:

22 ft diameter at 13 ft mounting height

Motion Detection:

0.5~1.5m/s

Lux On-Off:

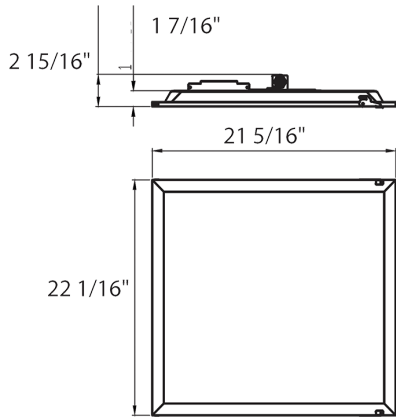
Adopted dual PD technology. GUS17-MVS is able to differentiate artificial light brightness from natural light after installed inside.

Other

5-Year Limited Warranty:

The RAB 5-year, limited warranty covers light output, driver performance and paint finish. RAB's warranty is subject to all terms and conditions found at rablighting.com/warranty.

Dimensions



Features

- 0-10V Dimming, standard
- 100,000-hour LED lifespan
- 5-Year, limited warranty

Ordering Matrix

Family	Size (Wattage)	Color Temp	Finish	Driver	Options
RPLED	2X2				/MVS
	2X2 = 2' x 2' (30/25/18W) 1X4 = 1' x 4' (30/25/18W) 2X4 = 2' x 4' (35/30/25W)	Blank = 3500/4000/5000K CCT Adjustable	Blank = White	Blank = 120-277V, 0-10V Dimming	Blank = No Option /E = Battery Backup /MVS = Microwave Occupancy Sensor /LCB = Lightcloud Blue-enabled /LCBS/MVS = Lightcloud Blue w/MVS Sensor /MVS/E = Microwave Occupancy Sensor w/Battery Backup /LCB/E = Lightcloud Blue w/Battery Backup /LCBS/MVS/E = Lightcloud Blue w/MVS Sensor and Battery Backup