



Color: Bronze

Weight: 6.5 lbs

Project:	Type:
Prepared By:	Date:

Driver Info		LED Info	
Type	Constant Current	Watts	9W
120V	0.08A	Color Temp	3000K
208V	0.05A	Color Accuracy	85 CRI
240V	0.04A	L70 Lifespan	100,000 Hours
277V	0.04A	Lumens	341 lm
Input Watts	8.8W	Efficacy	38.9

Technical Specifications

Compliance

UL Listed:

Suitable for wet locations

IP Rating:

Ingress protection rating of IP65 for dust and water

IESNA LM-79 & LM-80 Testing:

RAB LED luminaires and LED components have been tested by an independent laboratory in accordance with IESNA LM-79 and LM-80.

Trade Agreements Act Compliant:

This product is a product of Cambodia and a "designated country" end product that complies with the Trade Agreements Act

LED Characteristics

LEDs:

Long-life, high-efficacy, discrete, surface-mount LEDs

Color Consistency:

7-step MacAdam Ellipse binning to achieve consistent fixture-to-fixture color

Color Uniformity:

RAB's range of Correlated Color Temperature follows the guidelines of the American National Standard for (SSL) Products, ANSI C78.377-2017.

Electrical

Driver:

Constant Current, Class 2, 120-277V, 50/60 Hz, 120V: 0.08A, 208V: 0.05A, 240V: 0.04A, 277V: 0.04A

THD:

7.6% at 120V, 8.3% at 277V

Power Factor:

99.7% at 120V, 93.6% at 277V

Dim to Off:

No

Aux Power Supply:

No

Construction

Cold Weather Starting:

The minimum starting temperature is -40°F (-40°C)

Maximum Ambient Temperature:

Suitable for use in up to 113°F (45°C)

Housing:

Die-cast aluminum

Lens:

Polycarbonate lens

Gaskets:

High-temperature silicone

Finish:

Formulated for high durability and long-lasting color

Green Technology:

Mercury and UV free. RoHS-compliant components.

Installation

Mounting:

3pcs anchor bolts for mounting

Optical

BUG Rating:

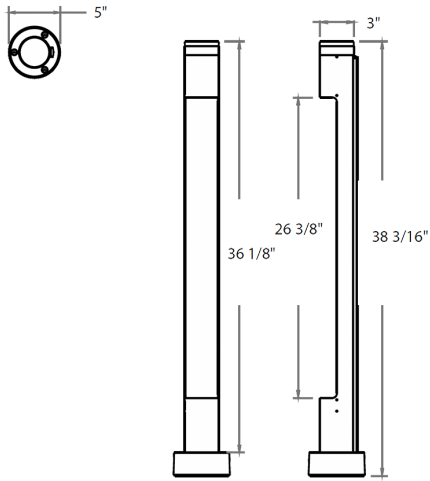
B0 U2 G0

Other

5-Year Limited Warranty:

The RAB 5-year, limited warranty covers light output, driver performance and paint finish. RAB's warranty is subject to all terms and conditions found at rablighting.com/warranty.

Dimensions



Features

- IP65 rated
- 100,000-Hour LED lifespan
- 5-Year Limited Warranty

Ordering Matrix

Family	Shape	Type	Color Temp	Finish	Voltage
SA	RE	BR			
	RE = REED	B = Bollard BR = Bollard with Accent Ring WP = Wall Sconce	Blank = 3000K	Blank = Matte Bronze	Blank = 120-277V