



Color: Gray

Weight: 6.5 lbs

| | |
|---------------------|--------------|
| Project: | Type: |
| Prepared By: | Date: |

| Driver Info | | LED Info | |
|-------------|------------------|----------------|-----------------|
| Type | Constant Current | Watts | 50W |
| 120V | 0.46A | Color Temp | 3500/4000/5000K |
| 208V | 0.26A | Color Accuracy | 80 CRI |
| 240V | 0.23A | L70 Lifespan | 100,000 Hours |
| 277V | 0.20A | Lumens | 4080-6800 lm |
| Input Watts | 50/40/30W | Efficacy | 130-142 lm/W |

Technical Specifications

Compliance

UL Listed:

Suitable for wet locations

UL 94:

5VA flame classification

FCC:

Complies with Part 15B of the FCC Rules

NSF:

NSF Certified by Public Health and Safety

NEMA Rating:

NEMA 4X rating indicates an enclosure protects against windblown dust and rain, splashing and hose-directed water, and offers additional corrosion resistance.

IESNA LM-79 & LM-80 Testing:

RAB LED luminaires and LED components have been tested by an independent laboratory in accordance with IESNA LM-79 and LM-80.

IP Rating:

Ingress protection rating of IP65 for dust and water

DLC Listed:

This product family is listed with the DesignLights Consortium (DLC). Individual SKUs within this family may carry either a DLC Standard or DLC Premium qualification. Please refer to the individual product specification sheet or the DLC Qualified Products List (QPL) at designlights.org to confirm the qualification status of a specific SKU prior to specification or purchase.

Electrical

Driver:

Constant Current, Class 2, 120-277V, 50/60Hz, 120V: 0.46A, 208V: 0.26A, 240V: 0.23A, 277V 0.20A

Dimming Driver:

Driver includes dimming control wiring for 0-10V dimming systems. Requires separate 0-10V DC dimming circuit. Dims down to 10%.

THD:

3.53% at 120V, 4.35% at 277V

Power Factor:

99.9% at 120V, 96.98% at 277V

Surge Protection:

2.5 kV

Battery Backup:

Battery backup will operate the fixture for 90 minutes if power fails. Wired for 120-277V.

Battery Backup Light Loss Factor:

0.207

LED Characteristics

LEDs:

Long-life, high-efficacy, surface-mount LEDs

Color Uniformity:

RAB's range of Correlated Color Temperature follows the guidelines of the American National Standard for Specifications for the Chromaticity of Solid State Lighting (SSL) Products, ANSI C78.377-2017.

Performance

Lifespan:

100,000-Hour LED lifespan based on IESlm-80 results and TM-21 calculations

Wattage Equivalency:

Equivalent to (3) F32T8

Construction

IK Rating:

IK08 Protected against 5 joules of impact. Equivalent to the impact of a 3.75 lbs. (1.7kg) mass dropped from 11.8" (300mm) above the impacted surface.

Technical Specifications (continued)

Housing:

Impact-resistant polycarbonate* with stainless steel door clips. 1/2" NPS opening for conduit and bushing/cord entry. *Polycarbonate is affected by cleaning agents or other liquids containing partial solvents such as low molecular weight aldehydes and ethers, ketones, esters, aromatic hydrocarbons and perchlorinated hydrocarbons. [Click here for a detailed list of damaging chemicals.](#)

Lens:

Diffuse polycarbonate lens for low glare and maximum protection

Reflector:

Cold-rolled steel

Gaskets:

High-temperature silicone gaskets

Cold Weather Starting:

The minimum starting temperature is -40°F (-40°C)

Maximum Ambient Temperature:

Suitable for use in up to 104°F (40°C)

Installation:

Tether Cables are provided for easy installation. Quick connector may be used for quick and easy wiring.

Green Technology:

Mercury and UV free. RoHS-compliant components.

Finish:

Formulated for high durability and long-lasting color

Installation

Mounting:

Quick-mount, stainless steel snap on brackets supplied for surface mounting. V-Hook brackets supplied standard for suspending the fixture.

Sensor Settings

Maximum Mounting Height:

19.68 ft. (6m)

Operating Voltage:

DC Input: 10.5-15V >50mA

Dimming Control:

ON/OFF 0-10V Dimmable

Operating Temperature:

-4°F to 104°F (-20°C to 40°C)

IP Rating:

Ingress protection rating of IP65 for dust and water

Brightness:

Factory Setting: 100%

Sensitivity Setting:

25%/50%/75%/100%
(Factory Setting: 50%)

Standby Period:

0s/10s/30s/1min/5min/10min/30min/60min/+∞
(Factory Setting: 1min)

Daylight:

2Lux/10Lux/30Lux/50Lux/80Lux/120Lux/Disabled
(Factory Setting: disabled)

Hold Time:

5s/30s/1min/3min/5min/10min/20min/30min
(Factory Setting: 20min)

Standby Dimming:

10%20%/30%/50%
(Factory Setting: 20%)

Detection Angle:

<120° Fresnel lens

Detection Distance:

Radius 9.84-19.68 ft. (3-6m)

Remote Control Accessory:

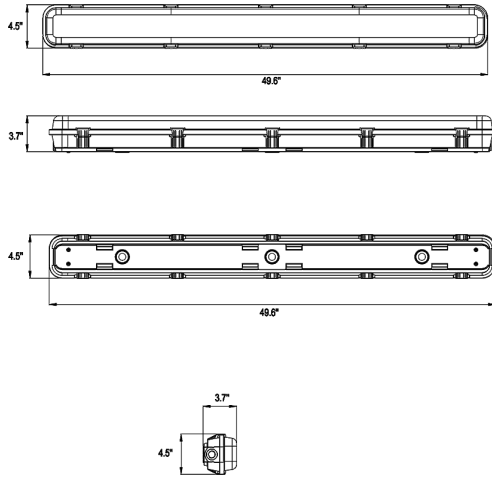
Adjust settings using remote control (catalog# MSR1). Only available with 0-10V dimming driver options. [Remote control available here.](#)

Other

5-Year Limited Warranty:

The RAB 5-year, limited warranty covers light output, driver performance and paint finish. RAB's warranty is subject to all terms and conditions found at rablighting.com/warranty.

Dimensions



Features

- 100,000-Hour LED lifespan
- DLC Premium Listed
- 0-10V dimming, standard
- 5-Year, limited warranty

Ordering Matrix

| Family | Length/Wattage | Color Temp | Finish | Driver | Options |
|--------|---|---|--------------|------------------------------------|---|
| SEAL | 4 | | | | /PIR/E |
| | 2 = 2 ft 25/20/15W 4 = 4 ft 50/40/30W 8 = 8 ft 100/80/60W | Blank = 3500/4000/5000K CCT Adjustable | Blank = Gray | Blank = 0-10V Dimming, 120-277V | Blank = No Option /PIR = Passive Infrared Sensor /MVS = Microwave Occupancy Sensor /E = Battery Backup /LCBS = Lightcloud Blue w/PIR Sensor /LCBS/MVS = Lightcloud Blue w/MVS Sensor /MVS/E = Microwave Occupancy Sensor w/Battery Backup /PIR/E = Passive Infrared Sensor w/Battery Backup /LCBS/E = Lightcloud Blue Sensor w/Battery Backup /LCBS/MVS/E = Lightcloud Blue Microwave Occupancy Sensor w/Battery Backup |