

Project:	Type:
Prepared By:	Date:

Driver Info		LED Info	
Type	Constant Current	Watts	50/40/30W
120V	0.42A/0.35A/0.26A	Color Temp	3500/4000/5000K
208V	0.24A/0.20A/0.15A	Color Accuracy	84-86 CRI
240V	0.21A/0.17A/0.13A	L70 Lifespan	100,000 Hours
277V	0.19A/0.15A/0.12A	Lumens	4,489-7,323 lm
Input Watts	30.1-50.7W	Efficacy	139.1-154.8 lm/W

Technical Specifications

Compliance

UL Listed:

Suitable for wet locations

UL 746C:

F1 weatherability rating for UV resistance, water exposure, and extreme temperature conditions.

NSF:

NSF Certified by Public Health and Safety

NEMA Rating:

NEMA 4X rating indicates an enclosure protects against windblown dust and rain, splashing and hose-directed water, and offers additional corrosion resistance.

IP Rating:

Ingress protection rating of IP66 for dust and water

DLC Listed:

This product family is listed with the DesignLights Consortium (DLC). Individual SKUs within this family may carry either a DLC Standard or DLC Premium qualification. Please refer to the individual product specification sheet or the DLC Qualified Products List (QPL) at designlights.org to confirm the qualification status of a specific SKU prior to specification or purchase.

Electrical

Dimming Driver:

Driver includes dimming control wiring for 0-10V dimming systems. Requires separate 0-10V DC dimming circuit. Dims down to 10%.

THD:

2.8% at 120V, 3.03% 277V

Power Factor:

99.9% at 120V, 97.7% at 277V

Surge Protection:

2.5 kV

Battery Backup:

Battery backup will operate the fixture for 90 minutes if power fails. Wired for 120-277V.

Battery Backup Light Loss Factor:

0.207

Construction

Housing:

IK09 impact-resistant polycarbonate with 5VA flame rating*

1/2" openings for conduit and bushing/cord entry

*Polycarbonate is affected by cleaning agents or other liquids containing partial solvents such as low molecular weight aldehydes and ethers, ketones, esters, aromatic hydrocarbons and perchlorinated hydrocarbons. [Click here for a detailed list of damaging chemicals.](#)

Lens:

Diffuse polycarbonate lens for low glare and maximum protection

Maximum Ambient Temperature:

Suitable for use in up to 104°F (40°C)

Cold Weather Starting:

The minimum starting temperature is -40°F (-40°C)

Green Technology:

Mercury and UV free. RoHS-compliant components.

Finish:

Formulated for high durability and long-lasting color

Technical Specifications (continued)

Installation

Mounting:

Quick-mount, surface, stainless steel spring clips supplied. 4 additional mounting accessory kits available.

LED Characteristics

LEDs:

Long-life, high-efficacy, surface-mount LEDs

Color Stability:

LED color temperature is warranted to Shift no more than 200K in color temperature over a 5-year period

Color Uniformity:

RAB's range of Correlated Color Temperature follows the guidelines of the American National Standard for Specifications for the Chromaticity of Solid State Lighting (SSL) Products, ANSI C78.377-2017.

Performance

Lifespan:

100,000-Hour LED lifespan based on IESlm-80 results and TM-21 calculations

Sensor Settings

Passive Infrared Occupancy and Daylight Sensor:

PIR sensor with IR remote capability. High/Low bay passive infrared occupancy and daylight sensor.

UL Listed:

Indoor use only

Brightness:

Factory Setting: 100%

Hold Time:

1 minute

Daylight:

Disabled

Sensitivity:

100%

Stand-By Dimming Level:

20%

Stand-By Time:

1 minute

Operating Voltage:

12 ± 2V DC

Operating Current:

30mA

Output:

DIM 0-10V

Stand-By Power:

<0.5W

Daylight Threshold:

10Lux/30Lux/50Lux/100Lux/Disable

Lux On-Off:

Adopted dual PD technology

Detection Angle:

Wall mounted <120°; Ceiling mounted 360°

Control Line:

Black White 12V+ ; Purple: DIM+ ; Pink GND/DIMMounting

Height:

Max 20 ft/6M (ceiling mounted)

Detection Range:

Max 26 ft/8M (ceiling mounted) Max 20 ft/6m (wall mounted)

Operating Temperature:

(-22°F to + 140°F) -30°C to +60°C

IP Rating:

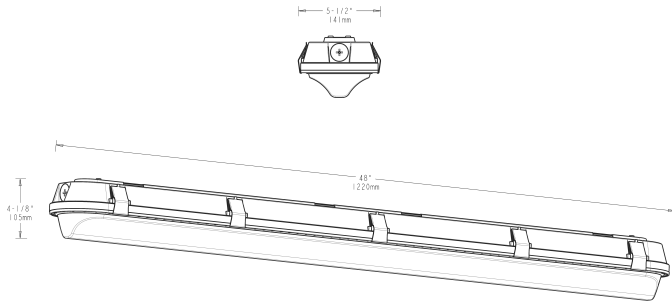
Ingress protection rating of IP65 for dust and water

Other

5-Year, No-Compromise Warranty:

RAB warrants that our LED products will be free from defects in materials and workmanship for a period of five (5) years from the date of delivery to the end user, including coverage of light output, color stability, driver performance and fixture finish. RAB's warranty is subject to all terms and conditions found at rablighting.com/warranty.

Dimensions



Features

- Impact-resistant linear washdown
- Ideal for tunnels and stairwells
- Mounting options: Chain, junction box, angled surface mount or vandal-resistant surface mount
- IP66 Rating protects against dust & water ingress
- 5-Year, No-Compromise Warranty
- 100,000-Hour LED lifespan

Ordering Matrix

Family	Size/Wattage	Mounting	Color Temp	Finish	Driver	Options
SHARK	4					/PIR/E
	2M = 2ft (25/20/15W) Marine Listed 4 = 4ft (50/40/30W) 4M = 4ft (50/40/30W) Marine Listed 8 = 8ft (100/80/60W) 8M = 8ft (100/80/60W) Marine Listed 2 = 2ft (25/20/15W)	Blank = Metal Bracket with hooks	Blank = 3500/4000/5000K CCT Adjustable	Blank = White	/480 = 480V, 0-10V Dimming Blank = 120-277V, 0-10V Dimming	Blank = No Option /E = Battery Backup /LC = Lightcloud /MVS = Microwave Occupancy Sensor /PIR = Passive Infrared Occupancy Sensor /LCBS = Lightcloud Blue w/PIR Sensor /LCBS/MVS = Lightcloud Blue w/MVS Sensor /MVS/E = Microwave Occupancy Sensor w/Battery Backup /PIR/E = Passive Infrared Occupancy Sensor w/Battery Back Up /LCBS/E = Lightcloud Blue w/PIR Sensor & Battery Backup /LCBS/MVS/E = Lightcloud Blue w/MVS Sensor & Battery Backup