



Color: Bronze

Weight: 3.0 lbs

Project:	Type:
Prepared By:	Date:

Driver Info		LED Info	
Type	Constant Current	Watts	30W
120V	0.25A	Color Temp	3000K/4000K/5000K
208V	0.20A	Color	70 CRI
240V	0.15A	Accuracy	
277V	0.12A	L70 Lifespan	100,000 Hours
Input Watts	29.4/28.4/29.7W	Lumens	3540/3813/3768 lm
		Efficacy	120.5/134.1/127 lm/W

Technical Specifications

Field Adjustability

Field Adjustable:

Color temperature selectable by 3000K, 4000K and 5000K

Compliance

UL Listed:

Suitable for wet locations

IESNA LM-79 & LM-80 Testing:

RAB LED luminaires and LED components have been tested by an independent laboratory in accordance with IESNA LM-79 and LM-80.

IP Rating:

Ingress protection rating of IP65 for dust and water

DLC Listed:

This product family is listed with the DesignLights Consortium (DLC). Individual SKUs within this family may carry either a DLC Standard or DLC Premium qualification. Please refer to the individual product specification sheet or the DLC Qualified Products List (QPL) at designlights.org to confirm the qualification status of a specific SKU prior to specification or purchase.

Performance

Lifespan:

100,000-Hour LED lifespan based on IESlm-80 results and TM-21 calculations

Wattage Equivalency:

Equivalent to 175W Metal Halide

LED Characteristics

LEDs:

Long-life, high-efficiency, surface-mount LEDs

Electrical

Driver:

Constant Current, Class 2, 120-277V, 50/60 Hz, 120V: 0.25A, 208V: 0.20A, 240V: 0.15A, 277V: 0.12A

Dimming Driver:

Driver includes dimming control wiring for 0-10V dimming systems. Requires separate 0-10V DC dimming circuit. Dims down to 10%.

Photocell:

120-277V Integrated button photocell included.

Surge Protection:

L-N:2.5 kV,L/N-GND:2.5 kV

Construction

Cold Weather Starting:

The minimum starting temperature is -40°F (-40°C)

Ambient Temperature :

Max Power Temp Rating: 122°F (50°C)
Middle Power Temp Rating: 122°F (50°C))
Low Power Temp Rating: 122°F (50°C)

Housing:

Precision die-cast aluminum housing and door frame

Lens:

Polycarbonate lens

Cut Off:

Adjustable from 0° (full cutoff) to 90°. 7 settings at 15° each.

Finish:

Formulated for high durability and long-lasting color

Green Technology:

Mercury and UV free. RoHS-compliant components.

Technical Specifications (continued)

Installation

Mounting:

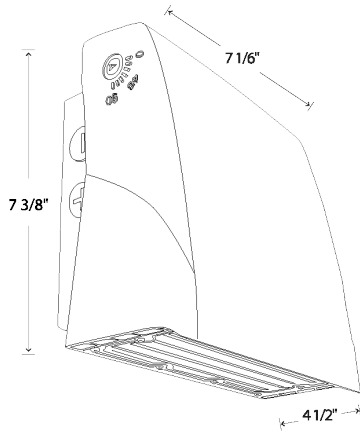
Hinged wiring access and conduit entries on the back, sides, top and bottom make installation a snap

Other

5-Year Limited Warranty:

The RAB 5-year, limited warranty covers light output, driver performance and paint finish. RAB's warranty is subject to all terms and conditions found at rablighting.com/warranty.

Dimensions



Features

- Selectable CCT
- Adjustable cutoff
- Integrated photocell
- 0-10V dimming, standard

Ordering Matrix

Family	Wattage	Style	Color Temp	Finish	Driver	Controls
SLIM17FA	30	ADJ				
	15 = 15W 30 = 30W 50 = 50W 80 = 80W	ADJ = Angle Adjustable	Blank = 3000/4000/5000K	Blank = Bronze	Blank = 120-277V, 0-10V Dimming	Blank = Integrated Button Photocell