

Color: Bronze

Weight: 13.9 lbs

Project:	Type:
Prepared By:	Date:

Driver Info		LED Info	
Type	Constant	Watts	150/125/100/75W
120V	N/A	Color Temp	3000/4000/5000K
208V	N/A	Color Accuracy	83-86 CRI
240V	N/A	L70 Lifespan	100,000 Hours
277V	N/A	Lumens	11,594-21,856 lm
Input Watts	77.5-153.8W	Efficacy	126.3-169.3 lm/W

Technical Specifications

Field Adjustability

Optical Field Adjustability:

45°, 30°, 15° and 0° (factory default 0°)

Field Adjustable:

Field Adjustable Light Output:

150W/125W/100W/75W (factory default 150W)

Color Temperature Selectable:

3000K, 4000K and 5000K (factory default 4000K)

Performance

Lifespan:

100,000-Hour LED lifespan based on IESlm-80 results and TM-21 calculations

Wattage Equivalency:

150W: Replaces up to 750W Metal Halide (MH) or 400W High Pressure Sodium (HPS)

125W: Replaces up to 750W Metal Halide (MH) or 400W High Pressure Sodium (HPS)

100W: Replaces up to 400W Metal Halide (MH) or 400W High Pressure Sodium (HPS)

75W: Replaces up to 400W Metal Halide (MH) or 310W High Pressure Sodium (HPS)

LED Characteristics

LEDs:

Edge-lit long-life, high-efficiency, surface-mount LEDs; binned and mixed for uniform light output and color.

Electrical

Driver:

150W: Class 2, Constant Current, 480V, 50/60 Hz, 480V: 0.39A

125W: Class 2, Constant Current, 480V, 50/60 Hz, 480V: 0.32A

100W: Class 2, Constant Current, 480V, 50/60 Hz, 480V: 0.28A

75W: Class 2, Constant Current, 480V, 50/60 Hz, 480V: 0.25A

Dimming Driver:

Driver includes dimming control wiring for 0-10V dimming systems. Requires separate 0-10V DC dimming circuit. Dims down to 10%.

THD:

150W: 12.21% at 480V

125W: 12.55% at 480V

100W: 15.63% at 480V

75W: 19.48% at 480V

Power Factor:

150W: 95% at 480V

125W: 94.1% at 480V

100W: 91.4% at 480V

75W: 87.8% at 480V

Aux Power Supply:

Yes

Dim to Off:

Yes

Photocell:

480V selectable photocell that can be turned on and off.

Surge Protection:

DM(L/N): 6 kV, CM(L/N-PE): 6 kV

Construction

Cold Weather Starting:

The minimum starting temperature is -40°F (-40°C)

Maximum Ambient Temperature:

Suitable for use in up to 104°F (40°C)

Housing:

Die-cast aluminum

Lens:

Polycarbonate lens

Gaskets:

High-temperature silicone

Finish:

Formulated for high durability and long-lasting color

Technical Specifications (continued)

Green Technology:

Mercury and UV free. RoHS-compliant components.

Compliance

UL Listed:

Suitable for wet locations

IESNA LM-79 & LM-80 Testing:

RAB LED luminaires and LED components have been tested by an independent laboratory in accordance with IESNA LM-79 and LM-80.

IP Rating:

Ingress protection rating of IP65 for dust and water

DLC Listed:

This product family is listed with the DesignLights Consortium (DLC). Individual SKUs within this family may carry either a DLC Standard or DLC Premium qualification. Please refer to the individual product specification sheet or the DLC Qualified Products List (QPL) at designlights.org to confirm the qualification status of a specific SKU prior to specification or purchase.

Installation

Mounting:

Hinged wiring access and conduit entries on the back, sides, top and bottom make installation a snap

Optical

BUG Rating:

150W: B4 U0 G3

125W: B4 U0 G3

100W: B4 U0 G2

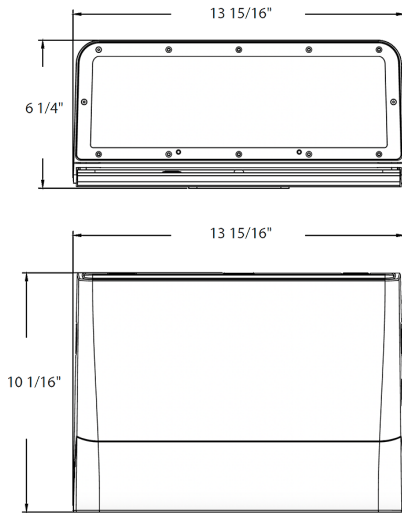
75W: B3 U0 G2

Other

5-Year Limited Warranty:

The RAB 5-year, limited warranty covers light output, driver performance and paint finish. RAB's warranty is subject to all terms and conditions found at rablighting.com/warranty.

Dimensions



Features

- DLC Premium listed
- 0-10V dimming standard
- 100,000-hour LED Life
- 5-Year, limited warranty

Ordering Matrix

Family	Housing Size	Wattage	Color Temp	Finish	Forward Throw	Driver	Options	
SLIM22	-	L	-	150			/480	
	S = Small M = Medium L = Large	30 = 30/25/20/15W 60 = 60/50/40/30W 100 = 100/85/70/50W 150 = 150/125/100/75W	Blank = 3000/4000/5000K CCT Adjustable	Blank = Bronze W = White	Blank = Adjustable Throw 0°/15°/30°/45°	Blank = 120-277V, 0-10V /480 = 480V, 0-10V Dimming	Blank = Selectable Photocell /E = Selectable Photocell w/Battery Backup	