



Project:	Type:
Prepared By:	Date:

Driver Info		LED Info	
Type	Constant Current	Watts	24W
120V	0.22A	Color Temp	2700/3000/3500/4000/5000K
208V	0.13A	Color Accuracy	90 CRI
240V	0.11A	L70 Lifespan	50,000 Hours
277V	0.10A	Lumens	1,800-1,950 lm
Input Watts	24W	Efficacy	75-81 lm/W

Technical Specifications

Performance

Product Type:

Edge-lit Surface Mount

Lumens:

5000K: 1,900lm
 4000K: 1,950lm
 3500K: 1,930lm
 3000K: 1,880lm
 2700K: 1,800lm

Efficacy:

5000K: 79lm/W
 4000K: 81lm/W
 3500K: 80lm/W
 3000K: 78lm/W
 2700K: 75lm/W

L70 Lifespan:

50,000-Hour LED lifespan based on IES LM-70 results

Wattage Equivalency:

Equivalent to 125W Incandescent

Electrical

Driver:

Constant Current, Class 2, 50/60 Hz 120-277V, 120V: 0.22A, 208V: 0.13A, 240V: 0.11A, 277V: 0.10A

THD:

≤20%

Power Factor:

≥0.9

Input Wattage:

24W

Dimmable:

Yes, 0-10V and TRIAC/ELV dims down to 10%.
 See [Dimmer Compatibility List](#).

Input Voltage:

120-277V

Operating Frequency:

50/60Hz

Operating Temperature:

-4°F to 104°F (-20°C to 40°C)

Surge Protection:

2.5 kV

LED Characteristics

Color Temperature:

Field Adjustable: 2700K,3000K,3500K,4000K,5000K

Color Accuracy (CRI):

>90 CRI

R9 Value:

High color performance with R9 greater than or equal to 50

Color Consistency:

4-step MacAdam Ellipse binning to achieve consistent fixture-to-fixture color

Color Stability:

LED color temperature is warrantied to Shift no more than 200K in color temperature over a 5-year period

Color Uniformity:

RAB's range of Correlated Color Temperature follows the guidelines of the American National Standard for Specifications for the Chromaticity of Solid State Lighting (SSL) Products, ANSI C78.377-2017.

Installation

Mounting:

Surface Mount

Construction

Finish:

Formulated for high durability and long-lasting color

Technical Specifications (continued)

Housing Material:

Metal

Trim Style:

Smooth

Lens:

Frosted lens constructed from polycarbonate material diffuses light evenly and smoothly

5-Year, No-Compromise Warranty:

RAB warrants that our LED products will be free from defects in materials and workmanship for a period of five (5) years from the date of delivery to the end user, including coverage of light output, color stability, driver performance and fixture finish. RAB's warranty is subject to all terms and conditions found at rablighting.com/warranty.

Compliance

Listings:

UL Listed

Environment:

Suitable for use in indoor and outdoor application in dry, damp, and wet environments

UV Protection:

Fade-resistant powder spray polyester

California Title 24 JA8 Compliant:

Can be used to conform with the requirements of California Title 24 Part 6.

California Energy Commission (CEC) Status:

Lawful for Sales in California

NEC Compliant:

Suitable for use in closets. Compliant with NEC Sec. 410.16 (A)(1) and 410.16 (C3).

IESNA LM-79 & LM-80 Testing:

RAB LED luminaires and LED components have been tested by an independent laboratory in accordance with IESNA LM-79 and LM-80.

RoHS:

Mercury and UV free. RoHS-compliant components.

FCC:

Complies with Part 15B of the FCC Rules

Trade Agreements Act Compliant:

This product is a product of Cambodia and a "designated country" end product that complies with the Trade Agreements Act

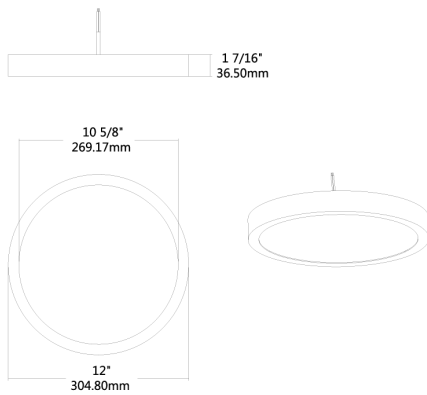
Other

Compatible Accessories:

DRI-25-EMGR-DC
25W Emergency Driver

DRI-21-EMGR-DC-D10
20W Emergency Driver

Dimensions



Features

Select from 5 field-adjustable color temperatures 5000K, 4000K, 3500K, 3000K, or 2700K

Suitable for indoor/outdoor applications in dry, damp, or wet environments

Dimmable on TRIAC/ELV systems, see dimmer compatibility list.

Meets California Title 24 requirements