



Color: Bronze

Weight: 0.1 lbs

Project:

Type:

Prepared By:

Date:

## Technical Specifications

### Performance

**Product Type:**

Surface Mount Accessory

### Electrical

**Operating Temperature:**

-4°F to 104°F (-20°C to 40°C)

### Installation

**Mounting:**

Snap on

### Construction

**Size:**

5.5"

**Shape:**

Round

**Finish:**

Bronze

**Enclosure Material:**

Metal

**Trim Style:**

Smooth

**UV Protection:**

No

### Compliance

**Listings:**

None

**Environment:**

Suitable for use indoors in dry and damp environments.

**California Title 20 Compliant:**

No

**California Title 24 JA8 Compliant:**

No

**California Energy Commission (CEC) Status:**

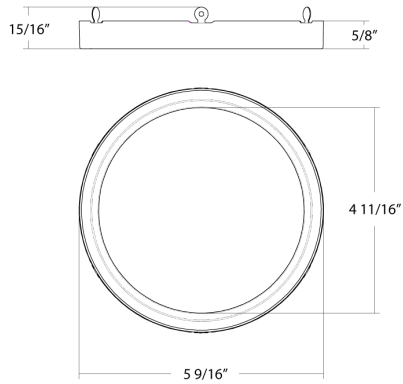
Lawful for Sales in California

### Other

**Compatible Products:**

Compatible with select Surface Mount Downlights, see complete Downlight Accessory Compatibility Guide.

## Dimensions



## Features

Color trim for surface mount, see Downlight Accessory Compatibility Guide

Color trim for surface mount, see Downlight Accessory Compatibility Guide

Available in 3 colors: Black, Bronze, & Brushed Nickel