



Color: Brushed nickel

Weight: 0.1 lbs

Project:

Type:

Prepared By:

Date:

Technical Specifications

Performance

Product Type:

Surface Mount Accessory

Electrical

Operating Temperature:

-4°F to 104°F (-20°C to 40°C)

Installation

Mounting:

Snap on

Construction

Size:

7"

Shape:

Round

Finish:

Brushed Nickel

Enclosure Material:

Metal

Trim Style:

Smooth

UV Protection:

No

Compliance

Listings:

None

Environment:

Suitable for use indoors in dry and damp environments.

California Title 20 Compliant:

No

California Title 24 JA8 Compliant:

No

California Energy Commission (CEC) Status:

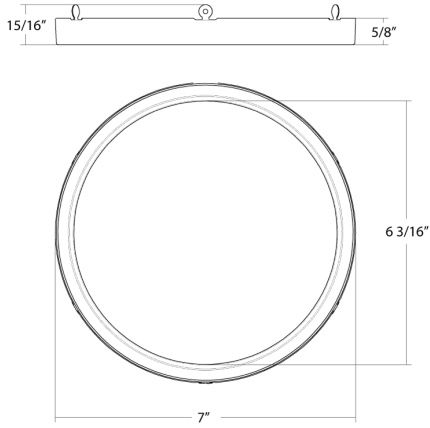
Lawful for Sales in California

Other

Compatible Products:

Compatible with select Surface Mount Downlights, see complete Downlight Accessory Compatibility Guide.

Dimensions



Features

Color trim for surface mount, see Downlight Accessory Compatibility Guide

Color trim for surface mount, see Downlight Accessory Compatibility Guide

Available in 3 colors: Black, Bronze, & Brushed Nickel