



|                     |              |
|---------------------|--------------|
| <b>Project:</b>     | <b>Type:</b> |
| <b>Prepared By:</b> | <b>Date:</b> |

| Driver Info |                  | LED Info       |                  |
|-------------|------------------|----------------|------------------|
| Type        | Constant Current | Watts          | 29W              |
| 120V        | 0.25A            | Color Temp     | Field Adjustable |
| 208V        | 0.14A            | Color Accuracy | 83-84 CRI        |
| 240V        | 0.12A            | L70 Lifespan   | 100,000 Hours    |
| 277V        | 0.11A            | Lumens         | 2227-4408 lm     |
| Input Watts | 18-36.9W         | Efficacy       | 116.5-126.1 lm/W |

## Technical Specifications

### Field Adjustability

#### Field Adjustable:

Field Adjustable Light Output:  
2' x 2': 39W/29W/19W (factory default 29W)  
Color temperature (selectable by 3500K and 4000K)

### Compliance

#### UL Listed:

Suitable for dry and damp locations.

### CCEA Compliant:

Luminaire Requirements used in Environmental Air Space per the electrical code specification of the City of Chicago

### IESNA LM-79 & LM-80 Testing:

RAB LED luminaires and LED components have been tested by an independent laboratory in accordance with IESNA LM-79 and LM-80.

### IC Rated:

Suitable for direct contact with insulation

### Trade Agreements Act Compliant:

This product is a product of Cambodia and a "designated country" end product that complies with the Trade Agreements Act

### DLC Listed:

This product family is listed with the DesignLights Consortium (DLC). Individual SKUs within this family may carry either a DLC Standard or DLC Premium qualification. Please refer to the individual product specification sheet or the DLC Qualified Products List (QPL) at [designlights.org](http://designlights.org) to confirm the qualification status of a specific SKU prior to specification or purchase.

### Performance

#### Lifespan:

100,000-Hour LED lifespan based on IESlm-80 results and TM-21 calculations

### Wattage Equivalency:

Equivalent to (4) F17T8 or (4) F14T5

### Electrical

#### Drivers:

Class 2, Constant Current, 120-277V, 50/60Hz  
19W: 120V: 0.16A, 208V: 0.10A, 240V: 0.08A, 277V: 0.07A  
29W: 120V: 0.25A, 208V: 0.14A, 240V: 0.12A, 277V: 0.11A  
39W: 120V: 0.33A, 208V: 0.19A, 240V: 0.17A, 277V: 0.14A

### Dimming Driver:

Driver includes dimming control wiring for 0-10V dimming systems. Requires separate 0-10V DC dimming circuit. Dims down to 10%.

### THD:

2.49% at 120V, 4.56% at 277V

### Power Factor:

99.8% at 120V, 94.75% at 277V

### Surge Protection:

2 kV

### LED Characteristics

#### LEDs:

Long-life, high-efficiency, discrete, surface-mount LEDs

### Color Stability:

LED color temperature is warranted to Shift no more than 200K in color temperature over a 5-year period

### Color Uniformity:

RAB's range of Correlated Color Temperature follows the guidelines of the American National Standard for Specifications for the Chromaticity of Solid State Lighting (SSL) Products, ANSI C78.377-2017.

## Technical Specifications (continued)

### Construction

#### Operating Temperature:

-4°F(-20°C) to 104°F (40°C)

#### Housing:

Galvanized sheet metal

#### Reflector:

Aluminum with high reflectance white finish, optimized for uniform distribution.

#### Lens:

Frosted polystyrene

#### Finish:

Formulated for high durability and long-lasting color

#### Green Technology:

Mercury and UV free. RoHS-compliant components.

### Installation

#### Mounting:

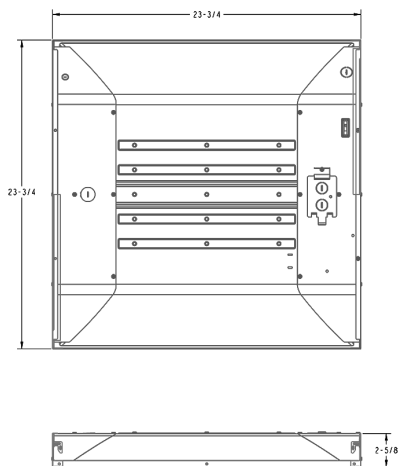
Recessed into T-grid ceiling. Surface and recessed mounting kits available for drywall ceilings.

### Other

#### 5-Year, No-Compromise Warranty:

RAB warrants that our LED products will be free from defects in materials and workmanship for a period of five (5) years from the date of delivery to the end user, including coverage of light output, color stability, driver performance and fixture finish. RAB's warranty is subject to all terms and conditions found at [rablighting.com/warranty](http://rablighting.com/warranty).

## Dimensions



## Features

- Field-adjustable light output (3 discrete steps)
- White tunable (2 discrete color temperatures)
- 100,000-Hour LED lifespan
- 5-Year, No-Compromise Warranty

## Ordering Matrix

| Family         | Size | Options |
|----------------|------|---------|
| SWISHFA-ISLAND | 2X2  |         |

2X2 = 2' x 2' | 19W/29W/39W | 3500K/4000K  
 2X4 = 2' x 4' | 29W/39W/49W | 3500K/4000K

**Blank** = No Option  
 /E = Battery Backup  
 /LC = Lightcloud  
 /LCS = Lightcloud Sensor  
 /LCB = Lightcloud Blue  
 /MVS = Microwave Occupancy Sensor  
 /LC/E = Lightcloud w/Battery Backup  
 /LCS/E = Lightcloud Sensor w/Battery Backup  
 /LCB/E = Lightcloud Blue w/Battery Backup  
 /MVS/E = Microwave Occupancy Sensor w/Battery Backup