



UPC: 019813601687

These Hybrid Type A/B tubes allow installation on the ballast or direct wiring to line voltage.

Color: White

Weight: 0.5 lbs

Project:	Type:
Prepared By:	Date:

### Technical Specifications

#### Performance

**Product Type:**

Linear Tube

**Wattage Equivalency:**

32W Fluorescent

**Input Wattage:**

13W

**Lumens:**

2,000lm

**Efficacy:**

154lm/W

**L70 Lifespan:**

50,000-Hour LED lifespan based on IES LM-70 results

#### Electrical

**THD:**

Type A: Dependent on ballast

Type B: <20%

**Power Factor:**

Type A: Dependent on ballast

Type B: >0.9

**Dimmable:**

Type A: Yes

Type B: No

**Dimming Type:**

Compatible 0-10V dimmer and ballast, see Dimmer Compatibility List

**Input Voltage:**

Type A: Ballast dependent

Type B: 120-277V

**Operating Frequency:**

50/60Hz

**Input Current @ 120V (mA):**

Type B: 120mA

**Input Current @ 208V (mA):**

Type B: 0.07mA

**Input Current @ 240V (mA):**

Type B: 0.06mA

**Input Current @ 277V (mA):**

Type B: 0.05mA

**Operating Temperature:**

-4°F to 113°F (-20°C to 45°C)

**Flicker:**

Type A: Depends on ballast ~<15%

Type B: 50%-70%

#### LED Characteristics

**Color Temperature:**

4000K

**Color Accuracy (CRI):**

>80 CRI

**R9 Value:**

High color performance with R9 no less than 0

**Color Consistency:**

<4-step MacAdam Ellipse binning to achieve consistent fixture-to-fixture color

**Color Stability:**

LED color temperature is warrantied to Shift no more than 200K in color temperature over a 5-year period

**Color Uniformity:**

RAB's range of Correlated Color Temperature follows the guidelines of the American National Standard for Specifications for the Chromaticity of Solid State Lighting (SSL) Products, ANSI C78.377-2017.

**Technical Specifications (continued)****Installation****Installation Method:**

UL Type A+B, Hybrid

**Base Type:**

G13

**Construction****Nominal Length:**

2 ft

**Shape:**

T8

**Endcap Material:**

Plastic

**Enclosure Material:**

Plastic

**Lens Finish:**

Frosted

**Compliance****Listings:**

UL Listed, UL Classified

**Environment:**

Suitable for use in dry and damp environments

**Fixture Rating:**

Suitable for use in enclosed fixtures

**California Title 24 JA8 Compliant:**

Not applicable

**California Energy Commission (CEC) Status:**

Lawful for Sales in California

**NSF Listed:**

Meets NSF/ANSI standards for use in Food Zone (non-contact), Splash, and Non-Food Zones. Tube guard required in open fixtures.

**RoHS:**

Mercury and UV free. RoHS-compliant components.

**FCC:**

Complies with Part 15B of the FCC Rules

**DLC Listed:**

This product family is listed with the DesignLights Consortium (DLC). Individual SKUs within this family may carry either a DLC Standard or DLC Premium qualification. Please refer to the individual product specification sheet or the DLC Qualified Products List (QPL) at [designlights.org](http://designlights.org) to confirm the qualification status of a specific SKU prior to specification or purchase.

**Other****Compatible Products:**

See Dimmer and Ballast compatibility lists.

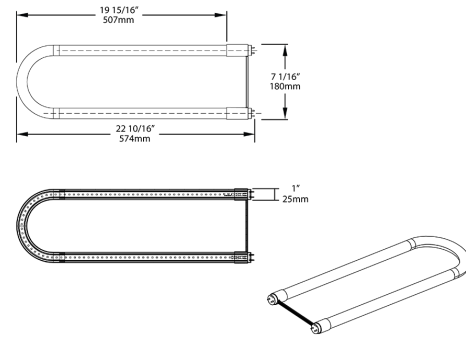
**5-Year, No-Compromise Warranty:**

RAB warrants that our LED products will be free from defects in materials and workmanship for a period of five (5) years from the date of delivery to the end user, including coverage of light output, color stability, driver performance and fixture finish. RAB's warranty is subject to all terms and conditions found at [rablighting.com/warranty](http://rablighting.com/warranty).

Case and Pallet Dimensions

	QTY	LENGTH (in)	WIDTH (in)	HEIGHT (in)
CASE	12	0	0	0
PALLET	0	0	0	0

Dimension



Features

- Direct Replacement for 32W/23T8/U6 Fluorescent Lamps
- TYPE A - Plug and play compatible with most common commercial instant start T8 electronic ballasts
- TYPE B - can be wired directly to line voltage 120-277V. Can be wired using Single or Double ended method.
- Works with both shunted and non-shunted sockets
- Rated for use in enclosed and open fixtures in dry or damp locations

Ordering Matrix

Family	Wattage	Length/Material	CRI/Color Temp	Wiring Method	Installation Type
T8	13	U6G	840	SD	HYB
	13 = 13W	U6G = U6G	850 = 80 CRI, 5000K 840 = 80 CRI, 4000K 835 = 80 CRI, 3500K 830 = 80 CRI, 3000K	SD = Single & Double Ended	HYB = Hybrid